



BOGAN SHIRE COUNCIL

Business Paper

27 May 2021



Published Recording of Council Meeting

This Council Meeting is being recorded for publishing on Council's website as a public record. By speaking at the Council Meeting you agree to being recorded and for this recording to be published. Please ensure that if and when you speak at this Council Meeting that you are respectful to others and use appropriate language at all times. Bogan Shire Council accepts no liability for any defamatory or offensive remarks made during the course of this Council Meeting.

Table of Contents

COMMITTEE MEETING MINUTES.....	9
1 MUSEUM COMMITTEE MINUTES	9
MAYORAL MINUTE TO THE ORDINARY MEETING OF COUNCIL	14
1 UGL REGIONAL LINX	14
REPORT TO ORDINARY MEETING OF COUNCIL – GENERAL MANAGER’S REPORT.....	15
1 CHECKLIST.....	15
2 COUNCILLOR AND MAYORAL FEES	28
3 HERMIDALE PARK	30
4 VILLAGE TOUR MEETINGS	35
REPORT TO ORDINARY MEETING OF COUNCIL – DIRECTOR PEOPLE AND COMMUNITY SERVICES.....	46
1 LIBRARY REPORT.....	46
2 RELOCATION CAMPAIGN.....	48
3 STRONGER COUNTRY COMMUNITIES FUND – ROUND 4.....	52
4 RESOURCES FOR REGIONS ROUND 8	56
REPORT TO THE ORDINARY MEETING OF COUNCIL – DIRECTOR OF FINANCE AND CORPORATE SERVICES	61
1 INVESTMENTS APRIL 2021	61
2 SUMMARY OF RATE & ANNUAL CHARGES COLLECTION.....	63
REPORT TO THE ORDINARY MEETING OF COUNCIL – DIRECTOR OF ENGINEERING SERVICES.....	65
1 OPERATIONAL REPORT.....	65
2 NYNGAN CEMETERY ROSE GARDEN	69
REPORTS TO ORDINARY MEETING OF COUNCIL – DIRECTOR OF DEVELOPMENT & ENVIRONMENTAL SERVICES’ REPORT.....	71
1 DEVELOPMENT APPLICATIONS.....	71
2 OPERATIONAL REPORTS	72
3 NYNGAN MEMORIAL SWIMMING POOL.....	73
PRECIS OF CORRESPONDENCE	77
1 THE HON. PAUL TOOLE MP, MINISTER FOR REGIONAL TRANSPORT & ROADS.....	77
2 NYNGAN MUSEUM	77
3 COUNTRY WOMENS ASSOCIATION.....	77
4 ROYAL FAR WEST	77

5 NYNGAN HEALTH COUNCIL77
6 2WEB OUBACK RADIO – SPONSORSHIP78
7 NOEL FINN78
8 BERNADETTE JACKSON.....78
9 WENDY BEETSON, COMMUNITY HUB CO-ORDINATOR RED CROSS78
10 BERNADETTE JUMP78

20 May 2021

COUNCIL MEETING NOTICE

The next Ordinary Meeting of Council will be held in the Council Chambers on Thursday 27 May 2021 at 9.30am.

AGENDA

1. Opening Prayer
2. Remembrances
3. Apologies
4. Declarations of Interest
5. Confirmation of the Closed and Confidential Minutes of the Council Meeting held on 22 April 2021
6. Confirmation of the Ordinary Minutes of the Council Meeting held on 22 April 2021
7. Confirmation of the Extraordinary Minutes (Estimates) of the Council Meeting held 29 April 2021.
8. Committee Meeting Minutes
9. Mayoral Minute
10. General Manager's Report incorporating reports from:-
 - People and Community Services
 - Finance and Corporate Services
 - Engineering Services
 - Development and Environmental Services
11. Correspondence

Your attendance at this meeting would be appreciated.

Yours sincerely

Melissa Salter

Acting Executive Assistant

COMMITTEE MEETING MINUTES

1 MUSEUM COMMITTEE MINUTES

Attached are the minutes of the Nyngan Museum Committee meeting held at the Nyngan Museum on 5 May 2021

1.1 Recommendation

That the minutes of the Nyngan Museum Committee meeting held at the Nyngan Museum on 5 May 2021 be received and noted.

Committee Meeting Minutes to the Ordinary Meeting
of Bogan Shire Council held on 27 May 2021

Nyngan Museum Meeting Date: 5th May 2021 Venue: Nyngan Museum

Present:

Gwen, Collin, Yvonne, Val, Veneta, Ray, Anna, Leonie, Glad, Abigail, Anne, Hugh.

Apologies:

Bay, Vince

Guests:

Minutes last meeting: Move: Leonie second: Val

Business Arising from Minutes, and Leonie's report:

The estimates committee have met, and would like the museum rosters to revert to the way they were before Covid. This would mean the museum would need to be staffed for full days and would include running the VIC in the mornings. Volunteers do not feel comfortable dealing with the money involved in transactions at the VIC, and couldn't leave the counter to show visitors around, if they were on duty alone. The concern by the volunteers was that the museum couldn't be run properly with only one on duty. We don't have enough volunteers for 4 people a day, 2 on each shift. At the moment they can be on alone because the VIC employees take care of that department. Museum would close during the week if no volunteers were available.

Opening on the weekends was also discussed, and options were to roster people on once a month if they are available. They are volunteers but are not expected to do more than they are able. If no one was available for a shift the museum would close.

Volunteers would have to open and close each day, VIC does this at the moment. We could possibly work through this if those with keys could work opening into the days they are already volunteering.

Volunteers will not be asked to increase their workload unless they are happy to do so.

Estimates Committee have made tourism funding for 2021 available to Girilambone Station.

Committee Meeting Minutes to the Ordinary Meeting
of Bogan Shire Council held on 27 May 2021

Correspondence In:

Requests from Keith White, re Damper Power, Judy Childs, re William Moxham and Courtlands, Caroline Guise, re Astills, Linda Knowles re Roseville

Correspondence Out:

Reply to Keith White, Linda Knowles and Caroline Guise.

Treasurers Report attached: read and moved: Collin 2nd: Leonie

Proceeds from Mother's Day raffle still to come.

General Business / Leonie's Report:

- *Microfische is now working, it didn't need any expensive upgrades, but it did take a lot of time on the phone and online, to slowly work the problem out.*
- *Check with RSL about door raffles restarting*
- *Year 9 boys have been to work with us for 2 weeks now. At the Shearing Shed, they are learning to maintain the hand pieces and portable shearing stands. They will also help with the reaper binder, the wool presses and the hurricane lanterns. The Museum team will sand and repair the wooden scout canoe, Fix the paddle, Sand and repair and repaint the church pew for the old RRR. The 3rd group will photograph and add to the data base the items in the Service Group room.*
- *John Holland have replaced the rotting floor in the ladies toilet. Part of the floor was damaged by whit ants, the rest was water damage. Apparently the footpath outside the door is too high and needs to be lowered to prevent the same thing happening again. They have also made sure broken windows have been replaced and a template has been made to replace the cellar stairs.*
- *The new ramp for wheelchair access to the sheds is acting like a dam wall, and is flooding the basement. A hole will have to be put in the bottom of the tin to let the water flow away.*
- *The Shire will remove the builders rubble and rubbish from the basement*
- *The poppies have begun falling off, so Glad has been sewing on the loose ones so that they remain able to be used for ANZAC Day. Thanks Glad, it is a big job.*
- *The glass company will be here today to measure the glass for the fire place.*
- *A photo of the Prince's fireplace tiles has prompted us to see if any remain at Canonbar. Leonie will chase this up.*



**Committee Meeting Minutes to the Ordinary Meeting
of Bogan Shire Council held on 27 May 2021**

- *The mannequin in the old entrance hall has been redressed. She is now wearing her “Visiting the Palais” outfit! The buggy lady will be dressed by Elizabeth Wynne in something more appropriate for her journey!*
- *Margaret Sibbald’s plates are now on display below the photographs of Barrenger’s Store.*
- *Bill Pardy has donated welding gear, lanterns and an old pencil sharpener.*
- *Brochure for the Museum has been costed at \$680.00 per thousand.*
- *Congratulations to Anne Quarmby on her Senior Citizen of the year Award. Well done Annie!*
- *10 pictures were sent to Create NSW for their website.*
- *Lino has been sanded and oiled in a small patch and has revealed a parquetry pattern.*
- *We would like to have a budget so that we can plan replacement of consumables and purchase of maintenance items locally and quickly. We need to contact the Shire about this. “We request, that \$2.00 of the \$5.00 entrance fee at the Museum be returned to the Museum Committee to be used as a running budget for the purchase of consumables and small maintenance items as needed.” Moved Leonie. 2nd Yvonne Passed Anna will contact Shire.*

Shire would like to open the Museum 5 full days and possibly weekends with volunteers.

Possible Problems Volunteers would need to open and close each day

Volunteers would have to deal with money and technology out of their comfort zone.

Not enough volunteers to cover 5 days, with 4 people needed each day.

1 person can’t be on alone or they cant’ go into the museum to be with visitors or the VIC will be unattended.

Need 2 on the museum so that someone can be at the other end to cover stairs, Theaterette and sheds. This cant’ be done from the VIC.

Possible Solutions Have VIC staffed by Shire during the week.

Special weekends, (Easter, Show, Expo etc) staffed by Shire

Ordinary weekends staffed by volunteers when available on a monthly or irregular roster.

Meeting between Shire and Museum to discuss and compromise

**Committee Meeting Minutes to the Ordinary Meeting
of Bogan Shire Council held on 27 May 2021**

Abigail's Report

Completing grant applications with Leonie

Stewart will be cleaning and upkeeping wool wagon and Cobb and Co Coach

Seniors Week was a great success, Congratulations to all nominees, and to Anne, Senior citizen of the Year 2021

Meeting Closed: 10.10 Happy Birthday Vall!

Sent 11.51 am 10th May 2021

Hello Derek,

At the May meeting of the Nyngan Museum volunteers, a motion was moved that we contact the Shire with a request for assistance. In the past, the entrance fee to the museum was \$3.00 for adults. All of this money went to the Bogan Shire to be put towards the general running costs. As the system stands now, the Museum charges \$5.00 for adults, which also goes to the Shire. The meeting would like the Council to consider making \$2.00 of that money available to the museum committee. The Council would retain its \$3.00 and we would be able to access the other \$2.00. The request arose because we have no budget of our own to purchase sundries such as printer ink, paper, or other small maintenance items without approaching the Council to do so. Our request, then, is that \$2.00 of the \$5.00 entrance fee at the Museum be returned to the Museum Committee to be used as a running budget for the purchase of consumables and small maintenance items as needed. Thanks for your consideration of the matter.

Anna Corby
Secretary Nyngan Museum



**Mayoral Minute to the Ordinary Meeting
of Bogan Shire Council held on 27 May 2021**

MAYORAL MINUTE TO THE ORDINARY MEETING OF COUNCIL

Councillors,

I submit the following report:

1 UGL REGIONAL LINX

It has been brought to our attention that UGL (United Group Limited) Regional LINX have been selected by Transport for NSW to deliver the operations and maintenance of rail infrastructure for the Country Regional network project. UGL are to commence operations in January 2022, they have replaced John Holland Rail who previously held this contract. Wayne Moody, Branch Manager Rail Tram and Bus union (NSW Branch) rang me on Tuesday 18 May and told me that this new organisation would centre its Western operations in Dubbo, their main office in Orange, and to quote him "the seven current local jobs in Nyngan with John Holland Rail would go. Redundancies would be offered or alternate employment may become available in Dubbo".

I hope to have more information at the Council meeting however this sounds like a change that will centre future operations out of Dubbo for the whole Western line.

1.1 Recommendation: For discussion

**Ray Donald OAM
Mayor**



General Managers Report to the Ordinary Meeting of Bogan Shire Council
held on Chambers 27 May 2021

REPORT TO ORDINARY MEETING OF COUNCIL – GENERAL MANAGER’S REPORT

Mayor and Councillors

The following report is submitted for consideration:

1 CHECKLIST

Item No.	Date	Minute No	Matter	Action Required	Officer	Status
1	28/09/2017	283/2017	Medical Centre	The General Manager in consultation with PHN proceeds to recruit & engage a second doctor for the BSMC.	GM	Recruitment agencies engaged to source locum / permanent second doctor. Locums secured until 30/06/2021. Renewed recruitment effort underway for permanent doctor with the Rural Doctors Network and Local Health District. UPDATE: Twelve month contracts finalised with Dr Volante and Dr Kim. COMPLETED



**General Managers Report to the Ordinary Meeting of Bogan Shire Council
held on Chambers 27 May 2021**

2	21/12/2017	392/2017	Increase of train speed through Nyngan	Strong letter of concern & a request to address Council be sent to the relevant rail authorities & a copy to local member.	GM	Letter sent to Minister for Transport & Infrastructure, with copy to Kevin Humphries.
	21/06/2018	293/2018		<p>Council seek further follow up from the responsible Minister, reiterating Council's safety concerns for pedestrians & road users due to the nature of the crossing & variation of speeds.</p> <hr/> <p>The best control measures would be to erect flashing lights at the Hoskins Street Crossing.</p>		DES

**General Managers Report to the Ordinary Meeting of Bogan Shire Council
held on Chambers 27 May 2021**

	28/05/2020	110/2020		<p>Council engage a Safety Consultant to inspect the Hoskins Street Level Crossing & to provide a report documenting the safety factors of the Crossing which can then be forwarded to the John Holland Rail & Minister for Regional Transport & Roads.</p>		<p>Safety Consultant has been engaged to inspect crossing at the end of July & will be preparing a risk audit for Council. Report has been received and forwarded. No response.</p> <p><u>UPDATE:</u> Council to write to UGL Regional Linx, (new responsibility for the Country Regional Network).</p>
3	24/04/2019	117/2019	Cobar Water Board	<p>Whilst Council is prepared to have discussion with CWB to explore options for delivery of water to minor users within the Bogan Shire LGA, it does not agree to the Board's proposal at this stage.</p>	GM	<p>Further correspondence sent to CWB.</p> <p><u>UPDATE:</u> New water supply agreement sent to CWB.</p>

General Managers Report to the Ordinary Meeting of Bogan Shire Council
held on Chambers 27 May 2021

4	28/11/2019 <hr/> 25/02/2021	366/2019 <hr/> 010/2021	Regional Water Supply Pipe Network	<p>Council supports in principle the investigation of a Regional Water Supply Network servicing the communities currently supplied by the Macquarie River downstream of Burrendong Dam.</p> <hr/> <p>Council seeking urgent clarification from the Minister on:</p> <ul style="list-style-type: none"> - Issuing of the licence for the Nyngan Emergency Bore and licence. - Size of the pipe from this bore to Nyngan - Response to be given to those who 	GM	<p>Water NSW has advised Narromine/Warren pipeline project is on hold</p> <hr/> <p>UPDATE: Awaiting determination from NRAR and direction from NSW Government.</p>
---	--------------------------------	----------------------------	---	---	-----------	---

General Managers Report to the Ordinary Meeting of Bogan Shire Council
held on Chambers 27 May 2021

				<p>lodge objections to the bore.</p> <ul style="list-style-type: none"> - Cobar emergency water. - What guarantee is there for the \$4.3M funding to be retained for this pipeline. 		
5	28/11/2019	368/2019	<p>Repairs to Nyngan & Cobar Emergency Water Storage</p>	<p>The General Manager be authorised to procure sufficient quantities Geosynthetic Clay Liner & Geotextile material to complete the remediation works, according to specifications provided by NSW Public Works. The procurement be carried out by way of quotations.</p>	<p>DES</p>	<p>Remediation work postponed due to wet weather and soft floor.</p> <p><u>UPDATE:</u> Floor continues to be wet and soft from previous rain.</p>

**General Managers Report to the Ordinary Meeting of Bogan Shire Council
held on Chambers 27 May 2021**

6	23/07/2020	192/2020	<p>Crown Land to convert the Perpetual Special Lease 78218 (Saleyards) to freehold & transfer title to Council.</p>	<p>1. Council purchase the Nyngan saleyards from the Crown at a cost of \$35,100 funded from Council's reserves. 2. The GM present a report to Council on necessary measures to allow future use of the site, including an RMS heavy vehicle uncoupling station, wash bay for trucks & hold over are for livestock.</p>	<p>GM</p>	<p>In progress.</p>
	25/02/2021	043/2021				



**General Managers Report to the Ordinary Meeting of Bogan Shire Council
held on Chambers 27 May 2021**

7	23/07/2020	193/2020	Speed limit in Nyngan CBD	Survey responses received for reducing speed limit in Nyngan CBD to 40km/hr between Terangion & Dandaloo Streets presented to Traffic Committee Aug 2020.	DES	Referred to RMS. UPDATE: Council has provided TfNSW with a quote to install signage.
8	25/02/2021	041/2021	Hermidale Park	Plans to be drawn up of proposed amenities for Hermidale Park	DES	UPDATE: Plans being considered by Hermidale Community. Council awaiting feedback by 31 May 2021. Report to Council refers.
9	24/09/2020	257/2020	Nyngan Golf Club	Council approach the NGC offering them a sign with our logo and other details of Bogan Shire Council to be put on one of the 18 holes	DPCS	UPDATE: Awaiting sponsorship invoice from NGC.



**General Managers Report to the Ordinary Meeting of Bogan Shire Council
held on Chambers 27 May 2021**

10	26/11/2020 12/04/2021	329/2020 102/2021	Centre of NSW Cairn	<p>Report on final design recommendations, including costs to a further meeting of Council for approval and budget consideration, following meeting of four parties.</p> <p>Plans for the Cairn improvements be forwarded to Lachlan Shire with a request for an equal contribution.</p>	DES	<p><u>UPDATE:</u> Letter sent to Lachlan Shire Council.</p>
11	17/12/2020	363/2020	Hermidale Speed Limit	<p>Council does not accept the RMS decision on the speed limit in Hermidale and refers this back to the RMS</p>	DES	<p>Letter sent to TfNSW requesting a review of the speed zone.</p> <p><u>UPDATE:</u> Letter received from TfNSW advising reduction in speed limit is not recommended as it would not meet current speed zoning guidelines.</p> <p>COMPLETED</p>



**General Managers Report to the Ordinary Meeting of Bogan Shire Council
held on Chambers 27 May 2021**

12	17/12/2020	373/2020	<p>Lack of Vacation Care/Before and After School Care in Nyngan</p>	<p>Council approach both primary schools in Nyngan. Council bring this matter to the attention of local State Member and Hon. Sam Farraway MLC.</p>	<p>DPCS</p>	<p>Meetings held with Principals of Nyngan Public and St Joseph's Schools. Letter sent to Hon. Bronnie Taylor MLC, Minister for Mental Health, Rural Youth and Women.</p> <p><u>UPDATE:</u> Response received from Hon. Bronnie Taylor, indicating support for funding application by Nyngan Public School to the Department of Education for the construction of a purpose built building for Before and After School Care.</p>
----	------------	----------	--	---	--------------------	---

**General Managers Report to the Ordinary Meeting of Bogan Shire Council
held on Chambers 27 May 2021**

13	17/12/2020	362/2020	Installation of Bench Seating in Pangee Street	Council proceed with installation of two bench seats in Pangee Street, between Nyngan Rural Agencies & St Marks Op Shop, to be funded by the CBD improvement grant.	DES	To be completed when grant works commence. UPDATE: Bench seating installed. COMPLETED
14	25/02/2021	011/2021	Bogan Shire Official Visitors Guide	To be funded from a budget review or included in next year's estimates.	DPCS	In Progress
15	25/02/2021	012/2021	Nyngan Railway Wool Dump	A colour information sign be erected at the Nyngan Railway Wool Dump on a stand adjacent to the dump. A cement path from the existing walkway to the sign be constructed, with available funding	DPCS DES	Pending commencement of grant- funded works. Pending commencement of grant- funded works.



**General Managers Report to the Ordinary Meeting of Bogan Shire Council
held on Chambers 27 May 2021**

16	25/02/2021	013/2021	Honour Board	That recipients of National Awards, prior to the 1980's, be recognised on an Honour Board. The board to include all National awards including recipients of the British Empire Medal (BEM), Australian Fire Service Medal (AFSM), and Victoria Cross.	GM	In progress
17	25/02/2021	024/2021	Addressing Local Job Vacancies	A report be presented to Council on what steps are required to establish the Hospital Road residential subdivision and any other opportunities that may exist.	DDES	Report to future Council Meeting.

General Managers Report to the Ordinary Meeting of Bogan Shire Council
held on Chambers 27 May 2021

				A report be prepared for Council on opportunities to promote Nyngan through Facebook, TV Advertisement, YouTube, including costs.	DPCS	Council staff to investigate use of different media and obtain costs on each to be included in a future report to Council. UPDATE: Report to Council refers.
18	25/02/2021	040/2021	Nyngan Cenotaph Location	A report be prepared for Council regarding the Nyngan Cenotaph location.	GM	Pending outcome of Nyngan Community Homes grant application
19	25/03/2021	055/2021	Enforcement of Orders - Derelict & Fire Damaged Buildings	Council seek information from the Insurance Council of Australia on relevant insurance details.	DDES	In progress, contacted the Insurance Council of Australia, awaiting information. Contacted other Councils in similar position for feedback.



**General Managers Report to the Ordinary Meeting of Bogan Shire Council
held on Chambers 27 May 2021**

20	25/03/2021	061/2021	Orana Joint Organisation	Council to resign its membership from the Orana Joint Organisation. Work with other Councils to develop a proposal to re-establish a voluntary regional body for further consideration by Council.	GM	<p>UPDATE: All Orana JO Councils have resigned their membership and the JO has advised the Minister for Local Government.</p> <p>Re-establishment of voluntary organisation to be discussed at Regional GM Meeting on 4 June 2021 with report back to individual Councils.</p>
----	------------	----------	---------------------------------	--	-----------	---

1.1 Recommendation

That the report relating to the Monthly Checklist be received and those items marked as "Completed" be removed from the checklist.

2 COUNCILLOR AND MAYORAL FEES

Summary:-

This report is to advise Council of the determination of the Local Government Remuneration Tribunal and to recommend that Council fixes Councillor and Mayoral Fees for the 2021/22 financial year based on this determination.

2.1 Introduction

The purpose of this report is to advise Council of the determination of the Local Government Remuneration Tribunal and to recommend that Council fixes Councillor and Mayoral Fees for the 2021/22 financial year based on this determination.

2.2 Background

Section 241 of the Local Government Act 1993 requires the Local Government Remuneration Tribunal to determine each year the maximum and minimum amounts of annual fees payable during the following year to Mayors and Councillors.

Sections 248 and 249 of the Act require Councils to fix and pay fees based on the Tribunal's determination. If Council does not fix a fee, Council is required to pay the minimum fee determined by the Tribunal.

2.3 Discussion

The following fees were approved for 2020/21 financial year:

Councillor		Mayor (Additional Fee) *	
Minimum	Maximum	Minimum	Maximum
\$9,190	\$12,160	\$9,780	\$26,530

* - This fee must be paid in addition to the fee paid to the Mayor as a Councillor (s.249(2))

**General Manager's Report to the Ordinary Meeting of Bogan Shire Council
held on 27 May 2021**

The current Government Policy on wages pursuant to section 146(1) (a) of the Industrial Relations Act 1996 is articulated in the Industrial Relations (Public Sector Conditions of Employment) Regulation 2011. The effect of the Regulation is that public sector wages cannot increase by more than 2.5 per cent, and this includes the minimum and maximum fees payable to Councillors and Mayors.

The Tribunal undertook an extensive review of the categories and allocation of Councils into each of those categories as part of the 2020 review.

Given the impact of the bushfires and the COVID-19 pandemic on the state and federal economies and wellbeing of communities, the Tribunal determined no increase in the minimum and maximum fees applicable to each existing category in 2020.

The 2021-22 rate peg for NSW Councils was set at 2.0 per cent by the Independent Pricing and Regulatory Tribunal (IPART). The rate peg is the maximum percentage amount by which a council may increase its general income for the year.

Employees under the *Local Government (State) Award 2020* will receive a 2.0 per cent increase in rates of pay from the first full pay period to commence on or after 1 July 2021.

The Tribunal determined a 2.0 percentage increase in the minimum and maximum fees applicable to each category.

Therefore the Tribunal has determined, pursuant to section 241 of the Local Government Act, 1993 that the fees payable to Councillors and the Mayor of Bogan Shire Council, effective from 1 July 2021, are as follows:

Councillor		Mayor (Additional Fee) *	
Minimum	Maximum	Minimum	Maximum
\$9,370	\$12,400	\$9,980	\$27,060

* - *This fee must be paid in addition to the fee paid to the Mayor as a Councillor (s.249(2))*

**General Manager's Report to the Ordinary Meeting of Bogan Shire Council
held on 27 May 2021**

Previously, Bogan Shire Council has resolved to pay Councillors the minimum fee and 75.7% of the maximum Mayoral Fee with this being split 80% to the Mayor and 20% to the Deputy Mayor. Taking into account the Tribunal's determination, this would translate into the following for 2021/22:

	Councillor Fee	Mayor Fee	Total Fee
Councillors	\$9,370	-	\$9,370
Deputy Mayor	\$9,370	\$4,097	\$13,467
Mayor	\$9,370	\$16,387	\$25,757

2.4 Recommendation

That Council considers the fees payable to Councillors, Deputy Mayor and Mayor of Bogan Shire Council, effective from 1 July 2021, as determined by the Tribunal.

3 HERMIDALE PARK

Summary:-

The purpose of this report is to present a request from Tammara Wells representing the Hermidale Community Centre Committee requesting a fresh community survey from Council in relation to the location of the Hermidale Park improvements.

3.1 Introduction

The purpose of this report is to present a request from Tammara Wells representing the Hermidale Community Centre Committee requesting a fresh community survey from Council in relation to the location of the Hermidale Park improvements.

3.2 Background

Following the 2020 Village Meeting, at its meeting in August 2020 Council resolved (227/2020) to consider relocating the Hermidale Park and toilets to the Phillip Dutton Rest Area and to ask for comments from Hermidale residents in this regard.

**General Manager's Report to the Ordinary Meeting of Bogan Shire Council
held on 27 May 2021**

Comments were requested via Council's website and Facebook pages (there being no local paper at the time). A report was presented to Council in October which included community comments on the proposal, including both Facebook responses and emails. The majority of the comments were against the proposed relocation.

At this meeting Council resolved (306/2020) that further community consultation be carried out by way of a survey, including a larger map of the proposed area next to the Phillip Dutton Rest Area.

Results of this survey were presented at the December Council meeting which in summary included:

- 100% of respondents believe Hermidale needs a better park
- 59.6% of respondents would prefer the Hermidale park to be located on the current site
- Children's play equipment and toilet block were the main priorities

At the December meeting Council decided to refer the results of the survey to the Hermidale community for comment. At Council's meeting in February 2021 a letter from the Hermidale Community Centre Committee confirmed their support for redevelopment of the existing location. At this meeting Council resolved (041/2021) to request the Hermidale Community Centre Committee draw up a plan of the amenities to be located on the block, bearing in mind funding for the project had to be spent by 30 June 2021.

To assist the Hermidale community to prepare this plan for Council, the Manager Works and Services, Director Engineering Services and the General Manager met with representatives of the Hermidale Community Centre Committee on 22 March at Hermidale. This meeting discussed funding and timeframes and included a site visit at which options for the positioning of different park elements were discussed. The Director Engineering Services undertook to prepare some concept site plans and costings, based on this feedback, for discussion at the upcoming village meeting.

At the public village meeting attended by councillors on 15 April these site plans were discussed and community representatives present agreed that the toilet be located as shown on the plans presented but also to have further discussions amongst themselves about the other elements of the park and to provide feedback to Council by the end of May.

On 3 May the Hermidale Community Centre Committee contacted the General Manager with a query as to why Council's 2020 survey had not included a park at the Hermidale Community Centre (Tennis Club) as an option. It was explained to the Committee that, whilst the Hermidale Community Centre was not specifically

**General Manager's Report to the Ordinary Meeting of Bogan Shire Council
held on 27 May 2021**

listed as an option in the survey, the survey gave three options for answering the first question:

“Where would you prefer the Hermidale Park to be located?”

- “On the current site of the Hermidale Memorial Park”,
- “Next to the Phillip Dutton Rest Area” and
- “Another site”.

It was explained that of the 47 survey responses, 59.6% favoured the current site with 14.9% choosing “Another site” and that in the space allocated in the survey for noting the reason for choosing “Another site”, four comments were made about the Tennis Club / Community Centre location.

Further contact was made with General Manager's office on behalf of the Hermidale Community Centre Committee on 17 May 2021 with the request that is attached.

3.3 Discussion

Funding for park improvements is from three sources:

1. Grant – Drought Communities Program (Toilet) - \$30,000
2. Grant – LRCI Program (Fencing, Playground Equipment) - \$30,000
3. Village Funds – (As agreed at village meeting 12/08/2020) - \$34,007

As the community had agreed at the meeting on 15 April 2021 to locate the toilet at the existing park, plans have been put in place to commence these works at the end of May so as to meet the grant deadline. It is unclear whether the current request from the Hermidale Community Centre Committee includes relocating the toilet to the Hermidale Community Centre as well.

Should the LRCI funding be redirected to playground equipment at the Hermidale Community Centre a grant variation will need to be submitted to the Federal Government seeking to change the scope (to delete the fencing) and location and to seek an extension of time to undertake the works. At the time of writing Council is still awaiting a decision on a different variation request submitted 5 weeks ago, so these requests take time to process and there is no guarantee that an extension of time will be granted.

3.4 Attachments

1. Email from Tammara Wells dated 17 May 2021 refers.



**General Manager's Report to the Ordinary Meeting of Bogan Shire Council
held on 27 May 2021**

3.5 Recommendation

That Council consider whether to:

1. Undertake a fresh community survey on the location of the Hermidale Park or continue with the redevelopment of the existing park.
2. Seek an extension of time to undertake works under the Local Roads and Community Infrastructure Program pending the outcome of further community consultation.



**General Manager's Report to the Ordinary Meeting of Bogan Shire Council
held on 27 May 2021**

Attachment 1: Email from Tammara Wells dated 17 May 2021

-----Original Message-----

From: Tammara Wells

Sent: Monday, 17 May 2021 2:57 PM

To: Melissa Salter <melissa.salter@bogan.nsw.gov.au>

Subject: Hermidale park location

ATT: General Manager Bogan Shire Council Derek Francis

Dear Derek,

I have had many queries from the community in relation to the Hermidale Park and the location.

There have been members of the community asking why the new park isn't been moved to the Hermidale Tennis and fitness centre (community centre).

The centre has a child proof fence all the way around and the room for park equipment. We also hold all community events at the centre.

I have explained that the survey indicated 60% of the community wanted the park to remain at its current location and only 12% put the community centre as a location under other.

They are asking for another survey to be run by the bogan shire council giving the option of the community centre as a location.

The other challenge that we have is the memorial that is located at the park. I know at the time there was some very strong views around the movement of the war memorial.

Is it possible to have a survey conducted with 2 options:

- 1) park to remain at current location
- 2) park to be moved to the community centre With the war memorial to remain at current location.

Please advise if this is something that you are able to help with.

Tammara Wells

Poraka Pastoral Co

Poraka

Hermidale NSW 2831

0409 523 564

4 VILLAGE TOUR MEETINGS

Summary:-

The purpose of this report is to record matters raised during the April 2021 Village Tour as well as progress made with items raised in previous meetings with community representatives.

4.1 Introduction

The purpose of this report is to record matters raised during the April 2021 Village Tour as well as progress made with items raised in previous meetings with community representatives.

4.2 Background

Councillors and management staff met with representatives of Coolabah, Girilambone and Hermidale on 15 April 2021 as part of Council's regular annual meeting program with village communities.

4.3 Discussion

A report-back on previous issues was provided and some new matters were raised by community members present. The attached checklist records all current issues.

4.4 Attachment

Village Meeting Checklist.

4.5 Recommendation

That the Village Tour Meeting report be received and noted.

Derek Francis

General Manager

Coolabah

Bogan Shire Council

Key discussion points and actions:

Items for Action	Responsible Officer	Status
Items for action from Meeting 11 April 2018		
i. Rest Area – Request to remove wire fence and install new pool-style fence, retaining existing fenced off area as a dog off-leash area.	Director Engineering Services	<u>Update:</u> 90 metres x 1.2m high black loop top pool fence \$10,900 price installed. Refer item from 12 August 2020 below.
Items for action from Meeting 27 November 2019		
i. Committee to obtain quotes for cladding sides of Hall and moving ramp.	Director Development & Environmental Services	<u>Update:</u> Committee still in the process of obtaining quotes.

**General Manager's Report to the Ordinary Meeting of Bogan Shire Council
held on 27 May 2021**

Items for Action	Responsible Officer	Status
Items for action from Meeting 12 August 2020		
i. Update list of priorities for spending from Village Capital Improvement Fund	General Manger	1. Contribution to toilet at BBQ Area 2. Pool fence at BBQ Area 3. Window replacement in Hall kitchen 4. Cladding on Hall 5. New swing set at BBQ Area 6. Relocation of ramp on southern side of Hall.
ii. Operation of proposed new BBQ Area toilet <ul style="list-style-type: none"> • Designed to facilitate cleaning out with a hose (open at the bottom) • Designed with vandal-proof stainless steel pans • Undertaking from community to keep clean • Located under light across from shop 	General Manger	In progress – Local Roads and Community Infrastructure Grant.
iii. Road works to allow for transport of grain at harvest - (especially from Brewarrina Shire along Monkey Bridge Road and Tubba Villa Roads)	Director Engineering Services	Maintenance Grading completed COMPLETED

**General Manager's Report to the Ordinary Meeting of Bogan Shire Council
held on 27 May 2021**

Items for Action	Responsible Officer	Status
Items for action from Meeting 15 April 2021		
i. Further development of BBQ area and playground next to the highway into the future. Important to have shade. Overall plan to be developed for community consultation.	Director Engineering Services	Plan to be drawn and sent to Committee
ii. Shire to proceed with pool fencing at the bbq area – request for plan to show location and extent before proceeding.	Director Engineering Services	Plan to be drawn and sent to Committee with estimate
iii. More instances of dumping scrap metal in the trench at the tip – allegedly by the same person as the Shire had already written too. Investigate follow-up. Sign at tip to direct scrap metal dumping.	Director Development & Environmental Services	In Progress
iv. Shire to investigate options for mowing around the village. People don't mind volunteering but feel they should not have to use their own privately owned mowers. In the meantime the Shire will reimburse fuel and blades.	General Manager	In Progress
v. Contact TfNSW for possible Rest Area funding.	Director Engineering Services	Discuss at Traffic Committee in first instance

Girilambone

Bogan Shire Council

Key discussion points and actions:

Items for Action	Responsible Officer	Status
Items for action from Meeting 27 November 2019		
i. Council to repair culvert crossing outside school and quote for relaying footpath on school grounds.	Director Engineering Services	COMPLETED
Items for action from Meeting 12 August 2020		
i. Update list of priorities for spending from Village Capital Improvement Fund.	General Manger	Development of free camping area.
ii. Complaint in relation to rubbish around bus stop – monitor collection please.	Director Engineering Services	Road Patroller to monitor and collect
iii. Large pothole on corner of Arcturus and Pine Streets washing dirt onto main road.	Director Engineering Services	To be repaired when crew available

**General Manager's Report to the Ordinary Meeting of Bogan Shire Council
held on 27 May 2021**

Items for Action	Responsible Officer	Status
iv. Hall needs securing – has had no front door for some time.	Director Engineering Services	COMPLETED
v. Request to drop speed limit on highway, concerns for safety of children – also request to Highway Patrol to enforce. To Traffic Committee.	Director Engineering Services	RMS advised that the criteria would not be met to reduce speed limit to 50 KMH
vi. Request for finger board on highway to Murrawombie Road.	Director Engineering Services	Sign ordered
Items for action from Meeting 15 April 2021		
i. Need two bins around bus stop (one each side of the road) to address litter. No bins at present.	Director Engineering Services	Bins to be installed
ii. Speeds along the highway excessive especially at night.	General Manager	To be referred to Traffic Committee, RMS and NSW Police.
iii. Shire to ask RMS to consider children crossing / bus stop sign on highway near shop.	Director Engineering Services	Discuss at Traffic Committee
iv. Shire to investigate and install signage for Murrawombie Road – large signage rather than finger board that can incorporate direction to other roads / locations as well as camping area symbol.	Director Engineering Services	Discuss at Traffic Committee



**General Manager's Report to the Ordinary Meeting of Bogan Shire Council
held on 27 May 2021**

Items for Action	Responsible Officer	Status
v. Shire to notify community before clean-up of new Council owned free camping site blocks.	General Manager	Not yet commenced
vi. Many overgrown properties – Shire to serve notices	Director Development & Environmental Services	Inspections being undertaken
vii. The stand pipe at the overhead water tank is rusted and urgently needs replacing for fire-fighting	Director Engineering Services	Scheduled for repairs
viii. Pot hole / road damage at corner of Arcturus and Myall Streets needs repair. Streets for grading and sealing Myall Street	Director Engineering Services	To be repaired when crew available
ix. Village water supply – Shire to consider cover for overhead tank to avoid dead birds.	Director Engineering Services	To be investigated and estimate prepared

Hermidale

Bogan Shire Council

Key discussion points and actions:

Items for Action – Previous Meetings	Responsible Officer	Status
Items for action from Meeting 12 April 2017		
i. Park – upgrades needed to fence, clean up trees and lawn.	Director Development & Environmental Services	Some repairs undertaken. <u>Update:</u> Community request for support (sponsorship) of grant application for installation of new play equipment. Community confirmed that the restoration of the park is a priority. Community was unsuccessful in grant application.

**General Manager's Report to the Ordinary Meeting of Bogan Shire Council
held on 27 May 2021**

Items for action from Meeting 27 November 2019

i. Intersection of Highway and Nymagee Road dangerous when vehicles access the highway- requires stop sign and improved line marking.

Director Engineering Services

Update:

Give way holding line programmed for re-painting. Discussed at November Traffic Committee meeting. Give way sign to remain as there are no line of sight problems and it does not meet the requirements specified in the standards.

Further update:

Request for RMS to consider a turning lane for vehicles exiting the highway.

To be discussed again at the Traffic Committee Meeting 19 August 2020.

RMS advised turning lane not warranted and a request for a speed reduction was not supported by RMS.

**General Manager's Report to the Ordinary Meeting of Bogan Shire Council
held on 27 May 2021**

Items for action from Meeting 12 August 2020		
i. Update list of priorities for spending from Village Capital Improvement Fund.		1. Contribution to toilet at Park. 2. Contribution to Park redevelopment.
ii. New Toilet at Park	Director Engineering Services	Undertaking from community to keep clean.
iii. Park redevelopment	Director Engineering Services	Partially funded from Local Roads and Community Infrastructure Fund – further fundraising / volunteer support to be followed up by Committee.
iv. Cemetery, fencing and drainage in need of attention – Shire requested to consider bearing some of the cost rather than Village Fund. Request for Shire to play a greater role in maintenance such as slashing and weed control.	Director Engineering Services	Currently obtaining quotes. Clearing for drainage to be included with Yarrandale Road shoulder repair works.
v. School bus stop at Belmore.	Director Engineering Services	Warning signs installed
vi. Village Tip – request to monitor access to tip face as it is difficult dump rubbish at times, consider alternative access to southern side.	Director Development & Environmental Services	Push up more often Make more access available

**General Manager's Report to the Ordinary Meeting of Bogan Shire Council
held on 27 May 2021**

vii.	Yarrandale Road – water ponding, not draining through culvert, erosion starting.	Director Engineering Services	To be included with Yarrandale Road shoulder repair works.
viii.	Request for defibrillator at hotel – Shire to investigate grants.	Director People and Community Services	<u>Update:</u> Defibrillator grants are only available to sporting clubs – the Hotel is not eligible.
Items for action from Meeting 15 April 2021			
i.	Apply for defibrillator for tennis club next time there is a grant	Director of People and Community Services	<u>Update:</u> BSC will monitor for next round.
ii.	Toilet location at new park ok – can proceed	Director Engineering Services	Awaiting confirmation from the Village Committee – Report to Council refers.
iii.	Request to install mobile phone booster at tennis club. Tamara Wells has quote.	General Manager	To be considered with other funding requests
iv.	Community to come back with what they want at the new park by the end of May.	General Manager	Report to Council – May 2021

REPORT TO ORDINARY MEETING OF COUNCIL – DIRECTOR PEOPLE AND COMMUNITY SERVICES

Mayor and Councillors

The following reports are submitted for consideration:-

1 LIBRARY REPORT

Summary:

The purpose of this report is to provide Council with information both statistical and informative in regards to the Library's function.

1.1 Introduction

The purpose of this report is to provide Council with information both statistical and informative in regards to the Library's function.

1.2 Discussion

Over the past 3 months the Library held:

- Six craft mornings over the holidays attended by 71 children and 9 parents/carers. Attendees decorated tote bags, made STEM cars, decorated clock faces, mugs and pots.
- The Outback Art4Ag photo exhibition in the Library.
- "Library Lovers Day" in mid-February with a draw for a hamper of chocolates
- Weekly Story Time sessions on Tuesdays for pre-schoolers not attending ELC or Pre-School which have been well attended.

On Mondays library staff go to the ELC and on Wednesdays to the Pre-School to provide Story Time and craft sessions so that we are still providing young children access to Library activities.

The Library Manager attended the North Western Librarian's meeting on the 31 March at Warren where continued funding for ebooks was discussed. The North Western Library is funding a new Data Base called Hoopla which includes Movies, eBooks, eAudio and Graphic novels and Kanopy funding is to be continued for the next 5 years at \$5000 from North Western funds.

Staff have carried out the annual cull of out of date books to make way for incoming stock. Council has tried to sell as many of the old books as possible with 25 boxes of remaining books being taken to the Nyngan Show for a free book stall.

The library will have to be closed from Monday 7 to Friday 11 June for the upcoming bi-annual stocktake.

**People and Community Services' Report to the Ordinary Meeting of Bogan Shire Council
held on 27 May 2021**

Statistics

Statistics for the past quarter dating from 01.01.21 to 31.03.21 are as follows with a comparison of the previous year figures for the same period. Membership figures have decreased due to a system audit and clean-up of non-active members conducted by North Western Library.

January 1st – March 31st, 2021		January 1st – March 31st, 2020	
Adult Fiction	329	Adult Fiction	728
Western Fiction	13	Western Fiction	37
Large Print	148	Large Print	232
Magazines	84	Magazines	108
Adult Non Fiction	63	Adult Non Fiction	113
Talking Books	98	Talking Books	69
Inter Library TBs	0	Inter Library TBs	0
Junior Fiction	72	Junior Fiction	305
Junior Non Fiction	9	Junior Non Fiction	2
Easy & Easy2 & RR	245	Easy & Easy2 & RR	448
Toys	0	Toys	24
Stories are Magic	0	Stories are Magic	0
Junior Talking Books	0	Junior Talking Books	2
Young Adult Fiction	10	Young Adult Fiction	34
Equipment	1	Equipment	0
DVD's	107	DVD's	260
TOTAL ISSUES	1,179	TOTAL ISSUES	2,362
TOTAL MEMBERS	1,099	TOTAL MEMBERS	2,502
New Members	24	New Members	21
Internet Usage	500	Internet Usage	1,475
IT Help	58	IT Help	131
Wi-Fi	5	Wi-Fi	54
People counter	1,240	People counter	2,852
Reference Inquiries	40	Reference Inquiries	77
Scans and emails		Scans and emails	

Note: This report includes reference inquiries (searching for customer's requests), Wi-Fi usage and IT Help, which staff give to computer users. These figures have been added to show the hands on help staff provide to customers. Internet usage is measured in half hour bookings.

1.3 Recommendation

That the Library report be received and noted.

2 RELOCATION CAMPAIGN

Summary:

The purpose of this report is to provide Council with further information on a marketing campaign to promote Bogan Shire as an attractive place to live and work.

2.1 Introduction

The purpose of this report is to provide Council with further information on a marketing campaign to promote Bogan Shire as an attractive place to live and work.

2.2 Background

Following discussion of a report discussing how to address local job vacancies at its February 2021 meeting, Council resolved (024/2021) that a report be prepared on opportunities to promote Nyngan through Facebook, TV Advertisement, YouTube including costs.

Council staff have worked with a marketing consultant to provide information for this report for further consideration by Council.

In developing a campaign consideration needs to be given to both marketing content and the way this content is delivered using platforms and tools.

2.3 Discussion

To successfully achieve the desired effect – to fill job vacancies in the Bogan Shire, the Bogan Shire firstly needs to market itself as an attractive place to live, work and relocate to. A relocation style marketing campaign inclusive of content regarding employment opportunities will support the attraction of new residents and ultimately, new workforce, to the Bogan Shire. This report identifies marketing tools and platforms which could be used to deliver a relocation campaign.

The relocation campaign should be an educational style campaign which over a period of time educates potential relocators on the benefits of relocating, living and working in the Bogan Shire. The focus of campaign would be to;

- Capture and promote the draw cards of the Bogan Shire including employment opportunities.
- To demonstrate the liveability of the Bogan Shire.
- To inform and paint a picture of what life is like living in the Bogan Shire.
- To demonstrate why the Bogan Shire is a location of choice to live and work.

**People and Community Services' Report to the Ordinary Meeting of Bogan Shire Council
held on 27 May 2021**

Additionally, when local businesses are advertising to recruit employees, they can reference and link their adverts to Council's relocation campaign which will assist with achieving a greater volume of interest, applicants and ultimately filling of their vacancies. Because of the relocation campaign, not only will businesses be able to sell their job vacancies but they'll also be able to sell the Bogan Shire as a desirable place to live.

To deliver an educational style campaign there are a multitude of marketing tools and platforms which could be utilised to develop a relocation campaign. Digital marketing via the internet is now the most common approach to marketing because of its ability to reach a large and yet targeted audience cost effectively. Platforms include:

- Council's website
- Council's Facebook page
- Paid Facebook posts (boosting)
- YouTube Channel

More traditional platforms such as brochures and print media (newspapers / magazines) can also be considered.

Council's website is due to be upgraded and this would be a prerequisite for using this platform for the campaign.

Whichever of the digital platforms is selected, video clips are recommended as the primary marketing tool to be used for the campaign. According to Council's marketing consultant "*four times as many customers would rather watch than read, 60 percent of website visitors watch a video if available, and people stay two minutes longer on a site that has a video. Video is a powerful tool to tell a story.*" Video stories and photographs can also be used.

Council could consider the engagement of a videographer to produce the clips, working together with Council staff and a marketing consultant to produce a campaign for Council's approval. It is estimated that the cost of developing this campaign would be between \$20,000 and \$30,000 with preliminary quotations from videographers varying widely.

Council's marketing consultant suggests that two options exist for the theme of the campaign:

1. Leverage the campaign off the name and connotations associated with the Bogan, and take advantage of previous media exposure of the Bogan name to develop and deliver a very creative, irreverent, playful and unique campaign which differentiates ours from the campaigns of all other country towns.

**People and Community Services' Report to the Ordinary Meeting of Bogan Shire Council
held on 27 May 2021**

The association and inclusion of the Big Bogan in the campaign would assist with generating increased interest and free press, as experienced when the Big Bogan was erected.

Potential ways to include the Big Bogan in a subtle way in the relocation campaign could include;

- Where video or photos are used, the Big Bogan character sits subtly in the background.
 - The Big Bogan is “interviewed” and provides testimonial that there are no other bogans living in the Bogan Shire – dispelling any potential myth that the Bogan Shire is a bogan haven.
 - At the end of any testimonial style video clip, the person being interviewed shares that they have not come across bogans in the Bogan Shire despite the name suggesting otherwise.
2. Deliver a campaign that does not have an association with the Bogan and deliver a more conservative and traditional approach to a relocation campaign which portrays an idyllic country lifestyle and community.

Risks associated with the relocation campaign need to be identified to ensure that they have been appropriately understood, considered and mitigated by Council, and that resources are available should potential risks eventuate from undertaking the relocation campaign.

A significant risk factor which could diminish the attractiveness of the Bogan Shire, and which can potentially impact upon the relocation campaign is the lack of available accommodation and accommodation options, both in the rental market and sales market. Existing residents may become frustrated with Council's attempts to attract more residents to the Bogan Shire exacerbating an existing housing shortage. Also, relocators may find a lack of housing inhibits moving to the Bogan Shire damaging the efforts of the campaign and of local business to attract new employees.

For this reason Council should consider whether it would be preferable to pursue opportunities to facilitate construction of additional housing / accommodation in Nyngan prior to launching any marketing campaign. Resolution 025/2021 supports this with a report due to Council on establishing new residential subdivisions.

Once these plans have progressed, further discussions could be held with major employers in the Shire to develop a partnership to construct new housing. In parallel with this Council may also wish to explore the option of borrowing funds to construct housing provided some rental income could be contractually guaranteed.

2.4 Recommendation

That:

1. \$30,000 be provided in the 2021/22 operating budget for a Relocation marketing campaign to promote the Bogan Shire as an attractive place to live and work.
2. That Council consider whether the theme of the campaign should be lighthearted and leverage off the Big Bogan publicity or more traditional, focusing on portraying an idyllic country lifestyle and community.
3. An outline of this marketing campaign be presented to Council for approval prior to completion.
4. Council consider delaying the launch of the marketing campaign until progress is made with establishing more housing accommodation in Nyngan.

3 STRONGER COUNTRY COMMUNITIES FUND – ROUND 4

Summary:-

The purpose of this report is to advise Council of availability of funding under Round 4 of the NSW Government's Stronger Country Communities Fund and to recommend an approach for community consultation to select projects.

3.1 Introduction

The purpose of this report is to advise Council of availability of funding under Round 4 of the NSW Government's Stronger Country Communities Fund and to recommend an approach for community consultation to select projects.

3.2 Background

The Stronger Country Communities Fund was opened in July 2017 to provide funding to regional and rural communities to "support local infrastructure projects to improve the lives of people in regional communities and enhance the attractiveness of rural and regional NSW."

Bogan Shire Council was allocated \$724,683 in Round One of the program, \$1,581,630 in Round Two and \$764,812 in Round Three. The following projects have been funded from these first rounds:

• Affordable Senior's Living Units	\$995,000
• Bogan Shire Youth and Community Centre	\$764,812
• Larkin Oval Lights	\$480,283
• Recreational Pathway	\$275,000
• Golf Course Irrigation	\$142,953
• Waterplay and Half Basketball Court Nyngan Pool	\$132,640
• Solar Heating Nyngan Pool	\$118,990
• Heritage Park and Moonagee Park	\$101,447
• Racecourse Jockey Room	\$ 60,000

3.3 Discussion

Council was notified on 6 May 2021 that it is eligible to receive up to \$769,576 in the fourth round of the Stronger Country Communities Fund with half of the funding allocation to be set aside for projects that enhance female sporting facilities and increase female participation in sport. The remaining funding is available for other local community and sporting infrastructure, street beautification, and community programs and local events.

Eligible Programs and Projects

All applications submitted under Round Four will need to meet the program eligibility criteria and will be assessed against the following assessment criteria:

Female participation in sport

Projects under this stream must directly improve and support participation and performance opportunities in female sports at all levels through enhanced infrastructure and programs.

Female sporting related projects must meet one of the areas below:

- Encouraging engagement: The removal of barriers to female participation in sport through the delivery of new or enhanced sporting infrastructure and programs
- Fostering a sense of safety: Improving safety at sporting facilities by ensuring that female change rooms, amenities and recreational programs are appropriately designed
- Improving accessibility: Upgrading sporting facilities to ensure accessibility and inclusion as well as equitable access for female participants
- Boosting capability: Development of programs and facilities which encourage regular female participation in sport and fosters inclusive environments.

Community amenity

General community amenity projects must be for either:

- Construction of new, or upgrades to existing, local community infrastructure
- Capital works related to street beautification and other public places that promote the health, happiness and wellbeing of the community
- Delivering programs that benefit the local community and provide public benefit
- Infrastructure to assist the delivery of general community programs
- Infrastructure or community projects or programs which improve and promote accessibility and inclusion.

Projects must deliver benefits and outcomes that contribute to the program objectives. Applicants will be expected to establish monitoring procedures to demonstrate the delivery of the expected benefits.

**People and Community Services' Report to the Ordinary Meeting of Bogan Shire Council
held on 27 May 2021**

Program guidelines mention the following as ineligible projects:

- Exclusively for planning activities (e.g. master planning or heritage studies)
- For the maintenance or construction of local roads or other ongoing core service infrastructure works that are the ordinary responsibility of council or other levels of government
- For the delivery of essential or core government services that should be funded from another source such as local government, the NSW Government or the Commonwealth Government
- Seeking retrospective funding to cover any project component that is already complete before applicants are informed of the outcome or funding is announced
- Providing direct commercial and/or exclusive private benefit to an individual or business

Community Consultation

According to Program guidelines Council will be expected to provide evidence of consultation and support to demonstrate that submitted projects have a high level of community support such as:

- Community infrastructure and programs – engagement through council's Community Strategic Plan, online surveys, letters of support, or other documents demonstrating community support for the projects
- Enhancement of female sporting facilities or programs – engagement with local, regional, state or national sporting organisations, local female sports teams or evidence of consultation in a council's Community Strategic Plan or relevant strategy.

In doing so, Council can apply the principles of our Community Engagement Strategy, adopted on 15 December 2016.

Process

As applications close on 25 June 2021 with considerable lead time being required for preparation of the applications, Council will need to determine at its May meeting which projects to submit for funding, subject to community consultation.

**People and Community Services' Report to the Ordinary Meeting of Bogan Shire Council
held on 27 May 2021**

Potential programs or projects for Bogan Shire Council are included in the following table, noting that projects must have a minimum cost of \$50,000.

	Suggested Projects	Estimated Cost
Enhancement of female sporting facilities or programs		
1	Female change rooms at Larkin Oval (including demolition of existing male and female toilets and construction of male toilets)	\$350,000
2	Infrastructure for athletics field events at Larkin Oval (e.g. long jump)	\$50,000
3	Development of Levee Bank walking paths with solar lighting, replacement of gates with folding bollards, general accessibility	\$100,000
4	Lighting for Recreational Path	\$70,000
5	A program to encourage and support the engagement of females in sport (e.g. coaching clinics run by female athletes)	\$50,000
Community infrastructure and programs		
6	Bogan River Bush Care Group (environmental education and working bees with Nyngan High School and other volunteers, and the establishment of an indigenous plant nursery)	\$100,000
7	Street Tree Planting	\$50,000
8	Nyngan Pool – replacement of return water line	\$150,000

Councillors may of course also wish to propose other eligible projects and activities on behalf of the community at the Council meeting.

To meet the application deadline of 25 June 2021, the General Manger is making contact with sporting bodies representing women in Nyngan and Nyngan High School to receive their input into what projects should be considered by Council. The results of this consultation will be presented at the Council meeting.

3.4 Recommendation

That:

1. This report be received and noted.
2. Council determines which projects to put forward for funding.

4 RESOURCES FOR REGIONS ROUND 8

Summary:-

The purpose of this report is to provide information to Council on funding from the Resources for Regions Grant and for Council's consideration of eligible projects

4.1 Introduction

The purpose of this report is to provide information to Council on funding from the Resources for Regions Grant and for Council's consideration of eligible projects.

4.2 Background

Council was formally advised on 17 May 2021 of its eligibility under the Resources for Regions Grant (Round 8). A dedicated envelope of funding has been made available to 24 eligible LGAs, of which Bogan Shire Council is included. Eligible LGA's will receive a base amount of funding, with a weighted distribution of additional funding based on the mining employment location quotient.

Only Councils will be allocated funding under the program acknowledging their critical role in understanding the needs of their community and having planned for these needs via their Community Strategic Plans.

Council's funding allocation is \$4,656,512.

The Resources for Regions Program acknowledges the significant benefits mining delivers to the NSW economy as well as the unique and diverse needs that arise in mining communities.

Eligible projects:-

Grant money can only be used for infrastructure or community programs that support the ongoing prosperity of mining communities by providing economic opportunities, improved amenity and positive social outcomes.

Eligible infrastructure projects include those that:

- Mitigate the impact of mining on local infrastructure (e.g. road upgrades / waste infrastructure);
- Deliver new economic opportunities to help strengthen and/or diversify the local economy (e.g. tourism projects / infrastructure aligned with Regional Economic Development Strategy or other NSW Government strategy); and
- Offer improved community amenity through new or upgraded community infrastructure (paths, community centres and halls, sports facilities, pool upgrades, mains street beautification, art galleries, libraries, cultural spaces.

**People and Community Services' Report to the Ordinary Meeting of Bogan Shire Council
held on 27 May 2021**

Eligible community programs include those that:

- Provide economic diversification to support long term resilience and prosperity (targeted skills development, industry development workshops, projects to related to the development of tourism); and
- Deliver Community wellbeing outcomes by enhancing liveability (larger scale sporting festivals, arts/cultural heritage projects that support community involvement, promotion of local culture, landcare, support wellbeing outcomes and Indigenous tourism or cultural heritage projects).

Ineligible projects:-

Ineligible projects include those that:

- are for the day to day delivery of essential or core council services;
- are for a privately-owned asset or on private land unless there is a clear public benefit and the landowner has provided documented consent; and
- have exclusive private benefits or provide direct commercial and/ or exclusive private benefit to an individual or business.

Minimum and Maximum Grant Funding

- Infrastructure – Min \$250,000, Max \$4.6 Million
- Program – Min \$100,000, Max \$300,000 per program
- Future business cases – Min \$50,000, Max 200,000

Applications are due by 12 July 2021 and all Eligible Projects must be completed within 2 years of approval.

4.3 Discussion

As with previous grant applications it is suggested that Council prioritises projects in excess of allocated funding to facilitate substitution of projects in the grant application in the event the Government deems certain proposed projects ineligible.

Grant guidelines permit the retention of a maximum of 20% of grant funding for project contingency and administration / project management costs and it is recommended that Council does so.

At a Grants Workshop which was held on 14 July 2020, Councillors and management identified numerous projects and programs, indicating their relative community benefit in order to put a list of projects for consideration at the July 2020 Council meeting. Many of these projects and programs have been funded by grant programs since then.

**People and Community Services' Report to the Ordinary Meeting of Bogan Shire Council
held on 27 May 2021**

The following remaining eligible projects from the workshop are listed below for Council's consideration for funding:

Ref.	Project / Program	Indicative Scope	Indicative Cost (\$)
1	Hospital Road Subdivision	Roads, kerb and guttering, water and sewer	400,000
2	Nyngan Truck Stop and Hoskins Street intersection upgrade	<ul style="list-style-type: none"> • Closure of Derrybong Street, designated parking and improvements to truck stop • Highway improvements between Nyngan Toyota and the Mitchel Street entrance to town • Widening of roadway between Nyngan Toyota and the Hospital 	450,000
3	Council Administration Building and Cenotaph	<ul style="list-style-type: none"> • Demolition of existing Council administration buildings, redevelopment of Cenotaph area and construction of new buildings OR • Demolition of existing Council administration buildings, redevelopment of Cenotaph area, relocate administration building and Chambers to Town Hall, redevelop Supper Room/Library and make existing Council office site available for development 	2,600,000
4	Waste Facility: Cells and Tip Shop	6 x cells, shed for tip shop	250,000
5	Speech Pathology Services	2 year contract to provide services	300,000
6	Establish Bakery & new Visitor Information Centre	Several possible CBD locations	250,000
7	Establish Bogan Brewery	Purchase CBD site and fitout	800,000
8	Town Hall Rebuild/Conference Centre	New facility as per architect's plans and Quantity Surveyor's estimate (30/05/2019)	8,700,000
9	Targeted skills development programs: Scholarships	<ul style="list-style-type: none"> • Bogan Shire Medical Centre e.g. Registered Nurse / physiotherapy 	300,000

**People and Community Services' Report to the Ordinary Meeting of Bogan Shire Council
held on 27 May 2021**

Ref.	Project / Program	Indicative Scope	Indicative Cost (\$)
		<ul style="list-style-type: none"> Other areas of needs e.g. mechanic / engineer / Early Childhood Teacher 	
10	Village Water Supply	Water treatments plants	800,000

Based on previous community consultation, feedback and management input, the following projects are submitted for Council's consideration for funding:

Ref.	Project / Program	Indicative Scope	Indicative Cost (\$)
1	Hoskins Street Subdivision	Roads, kerb and guttering, water and sewer	600,000*
2	ELC Extension	Building construction, fitout, relocation of BBM Shed to ELC site, carport and parking	650,000*
3	Footpaths in Pangee Street	Replacement of footpaths on southern side of Pangee street CBD (from IGA to Murphy's Hardware)	500,000
4	Housing	2 x 4 bedroom homes to attract and retain key Council staff	1,000,000
5	Sewer network extension	In the vicinity of Oatley street	1,000,000
6	New skate park at O'Reilly Park	Construction of new skate park, including shade sails and seating	500,000
7	Adventure playground O'Reilly Park	Construction of new adventure playground including high level rope platforms, rope climbing system and slides designed for all age groups	250,000

**An additional \$100,000 will have to be provided for constructing Oxley Street from Dandaloo Street to Derrybong Street in one of these projects if selected for funding.*

Some of these indicative costs may be subject to revision at the Council meeting.



**People and Community Services' Report to the Ordinary Meeting of Bogan Shire Council
held on 27 May 2021**

Councillors may of course also wish to propose other eligible projects and activities on behalf of the community at the Council meeting.

4.4 Recommendation

That:

1. Council considers and prioritises which eligible activities and/or projects to submit for funding under the Resources for Regions Grant.
2. The General Manager applies for funding under the Resources for Regions Grant for the projects determined above, in priority order, until all grant funds are exhausted retaining a maximum of 20% for contingencies and project management / administration costs.

Debb Wood
Director People and Community Services

REPORT TO THE ORDINARY MEETING OF COUNCIL – DIRECTOR OF FINANCE AND CORPORATE SERVICES

Mayor and Councillors

The following reports are submitted for consideration:-

1 INVESTMENTS APRIL 2021

Summary:

The report is to outline the performance of Council's Investment Portfolio for the month of April 2021.

At the 30th April 2021 Council had \$14.8 million invested. There has been a decrease of \$750 thousand due works being undertaken on the fixing local road program with grant funds yet to be received and the purchase of the new Jet Patcher.

1.1 Introduction

The purpose of this report is to outline the performance of Council's investment portfolio for the month of April 2021.

1.2 Background

In accordance with Clause 212 of the Local Government (General) Regulation 2005 a report must be presented to the Council setting out details of all the money that the Council has invested under section 625 of the Act.

1.3 Discussion

The Investment Report for April 2021 is shown below. At the 30th April 2021 Council had \$14.8 million invested. There has been a decrease of \$750 thousand due to the purchase of the Jet Patcher from the 2021 capital budget also works have commenced on the fixing local roads program and grant funds are yet to be received.

Consideration of this report means that Council is complying with the Local Government (General) Regulation 2005.

**Finance and Corporate Services' Report to the Ordinary Meeting of Bogan Shire Council
held on 27 May 2021**

Investment Movements for April 2021

It is hereby certified that these investments have been made in accordance with the Local Government Act 1993 and the Regulations thereto.

Bogan Shire - Investment movements						
REF	Source	Maturity	Days	% rate	Bal Mar 21	Bal Apr 21
37908808	Commonwealth	02/03/2022	365	0.440%	2,800,000.00	2,800,000.00
6894	NAB - Professional Funds	At Call		0.500%	12,753,032.99	12,000,684.55
	Balance securities held				15,553,032.99	14,800,684.55
	Balance Ledger 19010.8200.8200				15,553,032.99	14,800,684.55
	Summary by institution					
	Commonwealth				2,800,000.00	2,800,000.00
	NAB				12,753,032.99	12,000,684.55
					15,553,032.99	14,800,684.55

1.4 Recommendation

That the Investments Report be received and noted.

2 SUMMARY OF RATE & ANNUAL CHARGES COLLECTION

Summary:

The report is to provide a comparison of rate collections as at 30th April 2021, with the same period last year.

Total arrears have increased from \$598,545 as at the 30th April 2020 to \$792,067 as at 30th April this year.

2.1 Introduction

The purpose of this report is to provide a comparison of rate collections as at 30th April, 2021, with the same period last year.

2.2 Discussion

This report is provided for the information of Councillors.

Rate Collections	2020-2021	2019-2020
Arrears Prior to 01/07/2020	513,445	336,048
First Instalment in arrears as at 30/4/2021	25,352	31,389
Second Instalment in arrears as at 30/4/2021	103,745	103,899
Third Instalment in arrears as at 30/4/2021	149,525	127,209
Fourth Instalment Outstanding as at 30/4/2021	958,853	963,381
Total Arrears	792,067	598,545
Total Outstanding	1,750,920	1,561,926
Monthly Transactions		
Amount Levied & B/Fwd	6,046,697	5,510,825
Add: Adjustments	17,237	41,643
Less: Payments to end of April	-4,230,483	-3,912,724
Less: Rebates	-82,531	-80,847
Add: Postponed	0	3029
Gross Total Balance	1,750,920	1,561,926
Arrears of total amount levied %	13%	11%

Total arrears have increased from \$598,545 at the 30th April 2020 to \$792,067 as at 30th April this year.

Each instalment amounts to approximately \$1,512,000

(Total Rates, Waste, Water & Sewer Access Charges)



**Finance and Corporate Services' Report to the Ordinary Meeting of Bogan Shire Council
held on 27 May 2021**

As at the 30th April 2021 Council had collected \$317,759 more than at the same time last year, an additional \$112,946 had been collected at the time of writing this report.

1.6% of rates were unpaid on the first instalment.

6.8% of rates were unpaid on the second instalment.

9.8% of rates were unpaid on the third instalment.

The final instalment of rates for 2020/2021 is due and payable on the 31st May 2021.

2.3 Recommendation

That the Rates and Annual Charges collection report be received and noted.

Stephanie Waterhouse
Director Finance and Corporate Service

**Engineering Services' Report to the Ordinary Meeting of Bogan Shire Council
held on 27 May 2021**

REPORT TO THE ORDINARY MEETING OF COUNCIL – DIRECTOR OF ENGINEERING SERVICES

Mayor and Councillors

I submit the following report for consideration:-

1 OPERATIONAL REPORT

1.1 Roads

Road work undertaken for the reporting period 23 April 2021 to 14 May 2021 consisted of the following:

No.	Name	Comments
	Local Roads	
9	Glengarriff Road	Grading to repair flood damage commenced.
10	Pangee Road	Resheeting continuing.
10	Pangee Road	Maintenance grading continuing.
24	Canonba Road	Shoulder grading completed
11	Honeybugle Road	Maintenance grading completed.
39	Hickeys Road	Maintenance grading, & flood damage repairs completed.
16	Yarrandale Road	Shoulder Grading continuing.
92	Colane Road	1km of rehabilitation completed.
2	Gibson's Road	Maintenance grading continuing.
8	Bobadah Road	Grading to repair flood damage commenced.
82	Pepper Lane	Maintenance grading completed.
22	Moonagee Road	Maintenance grading commenced.
	Nyngan Town Streets	Resealing completed.

**Engineering Services' Report to the Ordinary Meeting of Bogan Shire Council
held on 27 May 2021**

	Regional Roads	
228	Hermidale Nymagee Road	Heavy patch completed.
7514	Cockies Road	2km of construction continuing.
	State Highways	
HW7	Mitchell Highway	Pothole patching continuing.
HW7	Mitchell Highway	Shoulder widening near 'Tonky' completed.
HW7, & 8	Mitchell & Barrier Highways	Slashing continuing.
HW7	Mitchell Highway	Mulla Road rehabilitation commenced.
HW8	Barrier Highway	Tree Trimming continuing.
HW7	Mitchell Highway	Shoulder grading completed.

Council's jet patching truck has completed work on the following roads.

- Town Streets
- Mitchell Highway
- Hermidale Nymagee Road
- Barrier Highway

The upcoming works program for Council's Rural Works teams includes, but not limited to the following works:-

- Commencing, or continuing maintenance grading, re-sheeting, or flood damage repairs of the following roads:- Coffil's Lane, Cockies Road, Cobar Condobolin Road, Moonagee Road, Pepper Lane, Yarrandale Road, Pangee Road, Colane Road.
- Completing the 3.6km of the Mulla Road rehabilitation of the Mitchell Highway.
- Completing construction and sealing of 2km of Cockies Road.
- Commencing 2km of construction on Tottenham Road.
- Completing tree clearing on the Barrier & Mitchell Highways.

**Engineering Services' Report to the Ordinary Meeting of Bogan Shire Council
held on 27 May 2021**

1.2 Works and Services

The work undertaken during this reporting period, 23 April 2021 to 14 May 2021, consisted of the following:

Civil Works

- Installed bench seats in Pangee Street
- Commenced installation of upper weir toilet
- Carried out minor footpath repairs
- Preparation for the Nyngan Show
- Completed improvements at Heritage Park
- Girilambone railway station restoration
- Installed solar lights at lower weir shared path
- Installed culvert and footpath at Girilambone school

Community Facilities

- Mowing and maintenance of ovals, reserves and highway approaches to Nyngan.
- Cleaning of town facilities.
- Cleaning and sweeping of the Nyngan CBD.
- Cleaning and maintenance of town streets and nature strips.
- Cleaning of town streets gutters and culverts.
- On-going ant poisoning being carried on town streets & levee bank.
- Upper & Lower weir projects
- Preparation and pack up for the Nyngan Show

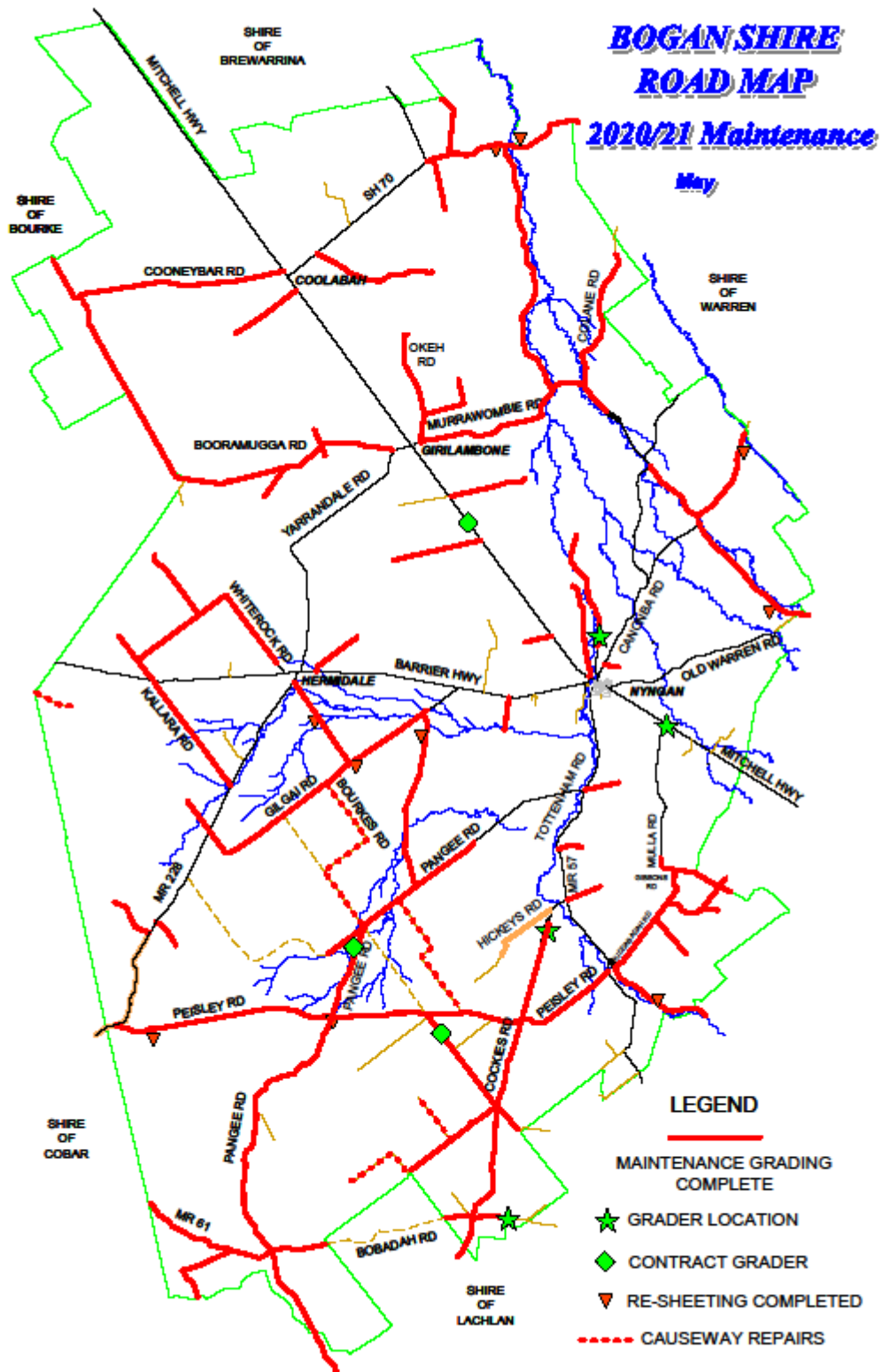
Water & Wastewater

- Minor water mains repairs
- Continued storm damage repairs on APC
- Completed water main interconnection in Hoskins Street
- Septic tank maintenance at showground
- Sewer pump station maintenance
- Minor water service connection repairs

1.3 Recommendation

That the Operational Report be received and noted.

Engineering Services' Report to the Ordinary Meeting of Bogan Shire Council
held on 27 May 2021



**Engineering Services' Report to the Ordinary Meeting of Bogan Shire Council
held on 27 May 2021**

2 NYNGAN CEMETERY ROSE GARDEN

Summary:

The purpose of this report is for Council to consider a request to inter ashes in the memorial rose garden at the Nyngan cemetery.

2.1 Introduction

The purpose of this report is for Council to consider a request to inter ashes in the memorial rose garden at the Nyngan Cemetery.

2.2 Background

Council has received a verbal request to inter the ashes of a relative, next to the relative's brother, where these ashes had previously been interred in the memorial rose garden at the Nyngan Cemetery.

2.3 Discussion

The Nyngan cemetery has the memorial wall and the lawn cremation section for the interment of ashes. The rose garden is for memorial plaques to be placed in remembrance of people buried in other towns and is not intended for the interment of ashes, although it appears that this has occurred in the past.

The current charges for interment are:

- Lawn Cemetery cremation section \$505
- Cremation Wall \$360

2.4 Attachment

Attachment 1 - Nyngan Cemetery

2.5 Recommendation

That Council determines whether or not to permit interment of ashes in the rose garden and, if so, what fee should be charged.

Graeme Bourke
Director Engineering Services

Engineering Services' Report to the Ordinary Meeting of Bogan Shire Council
held on 27 May 2021

Attachment 1 – Nyngan Cemetery



Development and Environmental Services' Report to the Ordinary Meeting of Bogan Shire Council held on 27 May 2021

**REPORTS TO ORDINARY MEETING OF COUNCIL – DIRECTOR OF DEVELOPMENT & ENVIRONMENTAL SERVICES' REPORT
Mayor and Councillors**

I submit the following reports for consideration:-

1 DEVELOPMENT APPLICATIONS

1.1 Introduction

One (1) application has been approved, One (1) has received a deferred commencement approval, four (4) applications are under assessment and three (3) applications require additional information to be provided for assessment since Council's meeting of 22 April 2021 as indicated in the table below:

DA NUMBER	APPLICANT	ADDRESS	DESCRIPTION	VALUE (\$)	PROGRESS
2020/007	ITP Development Pty Ltd	Pt Lot 2 DP 222408 Moonagee Road, Nyngan	5MW Solar Farm	\$6,600,000	Deferred Commencement Approval Sent to Applicant
2020/031	Mr Nicholas Zounis	33 Budther Street, Coolabah	Approval for Unauthorised Building Works	\$20,000	Application to be determined 1 June 2021
2021/002	Nyngan Community Homes	8 Tabratong Street, Nyngan	Construction of 5 x 2 bedroom Seniors Living Dwellings	\$1,821,000	Under Assessment
2021/003	Mr Brendan Wykes	110 Terangion Street, Nyngan	New Single Storey Dwelling	\$370,000	Approved
2021/004	Mr Mark Castelletti	74 Oatley Street, Nyngan	Subdivision	-	Under Assessment
2021/007	Ms K C Kubbere	1557 Babinda Fire Trail, Hermidale	New Single Storey Dwelling	\$110,000	Additional Information Required
2021/008	Mr Kevin Ryan	43 Merilba Street, Nyngan	New Single Storey Dwelling	\$400,000	Under Assessment
2021/009	Mr Robert Pack	52 Cobar Street, Nyngan	New Awning	\$20,000	Additional Information Required
2021/010	Mr AP Brown	25 Mudal Street, Nyngan	New Private Shed	\$8500	Under Assessment

**Development and Environmental Services' Report to the Ordinary Meeting of Bogan Shire
Council held on 27 May 2021**

Council's Development and Environment Officer has taken a number of pre-Development Application enquiries during the reporting month on proposals including subdivision, transportable dwellings, and private sheds.

1.2. Recommendation

That the Development Applications Report be received and noted.

2 OPERATIONAL REPORTS

2.1 Introduction

The purpose of this report is to outline key works undertaken by Council's Gardening Team, Ranger and Biosecurity and Weeds Officer.

2.2 Discussion

The Gardening Team undertook general routine works including maintenance and repairs. The Team continue to deal with vandalism issues in Parks and Public areas. Routine works were carried out at all the key areas the team are responsible for including the Seniors Living units, Davidson, Heritage and Vanges Parks, the Early Learning Centre and Medical Centre. Continued upgrade works at Heritage Park with the addition of new structures and landscaping has meant the maintenance of this area is also a focus for the team. With the onset of some cooler weather, and little rain in the reporting period, routine watering of parks, lawns and garden areas will continue as required so as to maintain their appearance.

Council's Compliance and Waste Officer completed a range of duties throughout the reporting period including ranger duties with no dogs being surrendered and no complaints of barking dogs being received, three (3) dogs and a goat were seized and after the regulatory period were re-homed. A strong relationship with Rural Outback Animal Rescue continues.

Weeds spraying was completed at the following: Town Streets, Council properties and laneways.

2.3 Recommendation

That this report be received and noted.

3 NYNGAN MEMORIAL SWIMMING POOL

Summary:-

The purpose of this report is to advise Council of further works required at the Nyngan Memorial Swimming Pool.

3.1 Introduction

The purpose of this report is to advise Council of further works required at the Nyngan Memorial Swimming Pool.

3.2 Background

Prior to the 2020-21 swimming season a new 'fibreteck' liner was applied over the existing tile finish of both the 50 metre and the wading pools. During the season a section of the liner lifted and eventually a couple of short cracks and hole developed in the new liner.

The issue with the liner has been investigated, with a number of discussions being held with the liner contractor and a firm of aquatic and civil engineers, who had previously been engaged by Council to report on the condition of the pool and its associated infrastructure, some years ago. It is the consensus opinion that a section of tiles and the liner has lifted, with a smaller section where only the liner has lifted. This has been caused by the pressure in the return water line (water to the pool) forcing water under either or both the tile bedding (which is some 75-100mm thick) and the new liner.

The application of the liner has sealed up the gaps between the existing tiles that would have previously allowed this water to dissipate through the tile grouting. Without this relief, for the most part, the tile bedding has separated from the pool's concrete floor, and to a smaller part the liner has separated from the tiles.

3.3 Discussion

The liner project has been a successful upgrade to the pool, with a number of favourable comments that the water looks fresh and inviting. That project was always only to line the pool over the existing tiles. The issue of the water pressure leaking from the return line was not foreseen and therefore not intended to be addressed. The improvement of placing the liner has exposed the issue that the return water line is (or is understood to be) the original from when the pool was built over sixty years ago.

Development and Environmental Services' Report to the Ordinary Meeting of Bogan Shire Council held on 27 May 2021

In simple terms, the return water line has failed and requires replacing.

The contractor who installed the new liner has inspected the return water line and the lifted liner using diving equipment and is currently preparing a proposal and costing for a recommended replacement and possible alternatives, if considered practical. An initial cost estimate of between \$100,000 and \$150,000, with caveats, such as if the return water line is an asbestos pipe, and given the age of the pool this is likely. If the failed return water line issue is not rectified it is likely that further cracking and holes will continue to develop in the pool liner, and given that the liner does have a fibreglass component in its makeup, it may well become hazardous and consideration given to closing the pool.

3.4 Attachments

Photo 1 Hole in liner showing missing grout and chipped tiles under the liner

Photo 2 Crack 1 in liner

Photo 3 Crack 2 in liner

Diagram 1 This is an estimate of the existing construction of the return water line. It appears that there is not a pipe (as shown), but simply a square channel under a layer of grout filling the large channel in the bottom of the pool, it is not known what holds up the grout, and it may be that the original pipe has disintegrated and is not visible at the inspection points.

Diagram 2 A possible option to renew the return water line, leaving it accessible for future servicing, and allowing the underlying large channel in the bottom of the pool to be sealed.

3.5 Recommendation

That Council allocate funds to complete the replacement of the return water line to the 50 metre and wading pools at the Nyngan Memorial Swimming Pool.

Chris Foley
Acting Senior Manager Development and Environmental Services

Development and Environmental Services' Report to the Ordinary Meeting of Bogan Shire Council held on 27 May 2021

Attachment

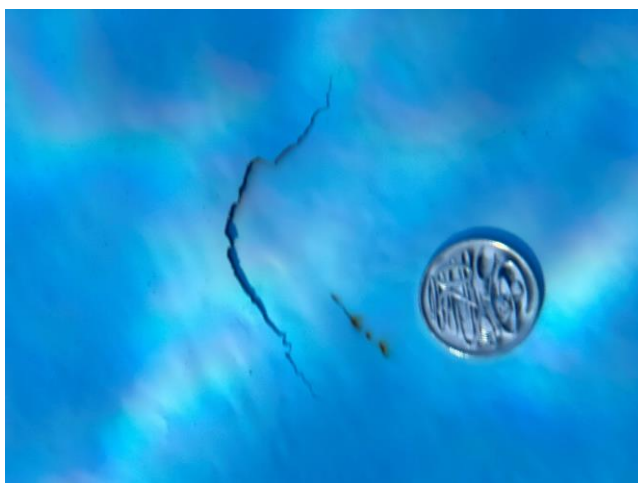
Photo 1



Photo 2

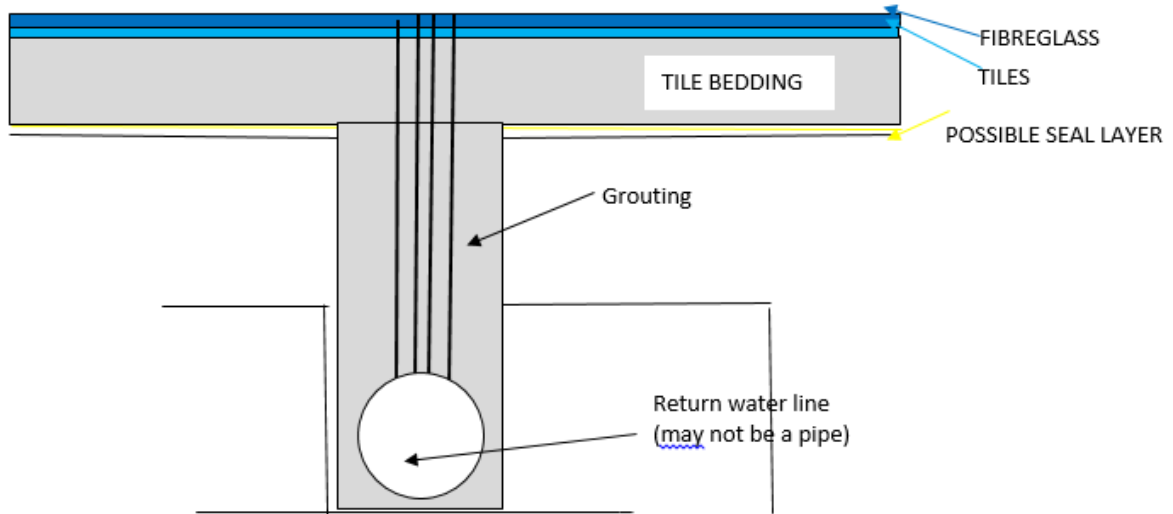


Photo 3



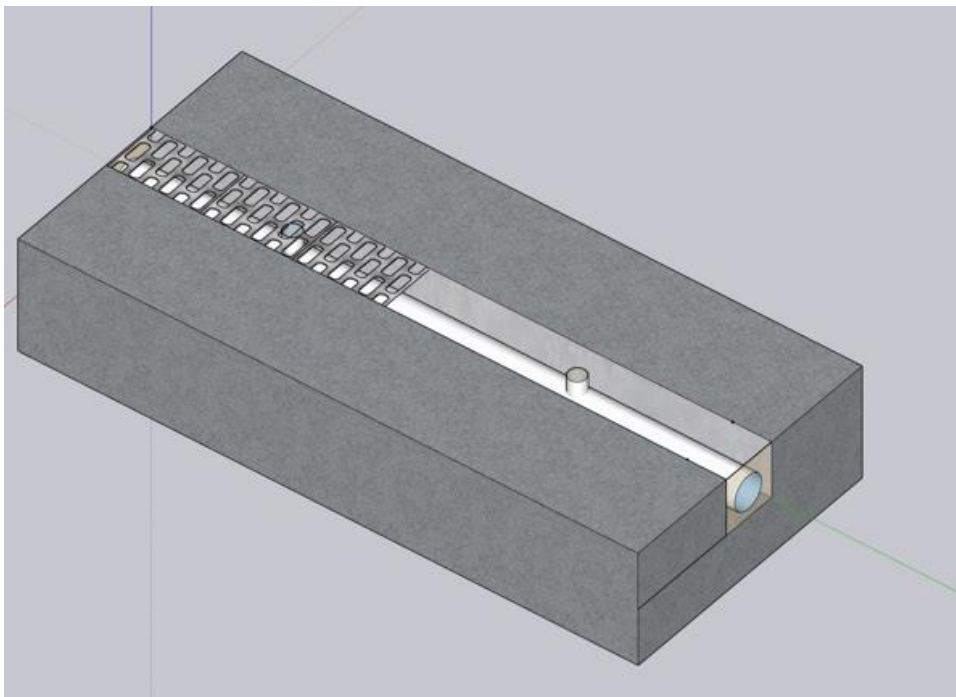
Development and Environmental Services' Report to the Ordinary Meeting of Bogan Shire Council held on 27 May 2021

Diagram 1



ESTIMATED CROSS SECTION OF RETURN WATER LINE
Subject to specific examination
NTS

Diagram 2



PRECIS OF CORRESPONDENCE

1 THE HON. PAUL TOOLE MP, MINISTER FOR REGIONAL TRANSPORT & ROADS

Attached is a copy of correspondence received from The Hon. Paul Toole MP, Minister for Regional Transport & Roads.

1.1 Recommendation: For noting

2 NYNGAN MUSEUM

Attached is a copy of correspondence received from Nyngan Museum Committee.

General Managers Note: This request will be addressed in a report to Council in June.

2.1 Recommendation: For noting.

3 COUNTRY WOMENS ASSOCIATION

Attached is a copy of correspondence received from The Country Women's Association Far West Group, Public Speaking Committee, requesting a donation.

General Managers Note: Council donated \$250.00 in 2019 for this event.

3.1 Recommendation: For Council's Consideration.

4 ROYAL FAR WEST

Attached is a copy of correspondence received from Royal Far West requesting a donation of \$500.00.

4.1 Recommendation: For Council's Consideration.

5 NYNGAN HEALTH COUNCIL

Attached is a copy of correspondence received from Nyngan Health Council.

General Managers Note:

- Installation of Bench Seat \$2,000
- To install a small shelter over the seat \$3,000
- Moveable steel shelter for the Cemetery \$9,000

**Precis of Correspondence to the Ordinary Meeting of Bogan Shire Council
held on 27 May 2021**

In addition, correspondence from the Nyngan Health Service Manager, Jenny Griffiths, indicates that *“At a recent Health Council meeting members were concerned about the lack of a garbage bin along Flashman Ave. Several members had picked up paper from the street and had nowhere to put it. It seems that if you are on foot then we are about the right distance from BP for people to finish their food and drop the papers”*.

A request was made for the installation of a public waste bin along the footpath in Flashman Avenue.

5.1 Recommendation: For Council’s Consideration.

6 2WEB OUBACK RADIO – SPONSORSHIP

Attached is a copy of correspondence received from 2WEB Outback Radio requesting ongoing sponsorship.

6.1 Recommendation: For Councils consideration

7 NOEL FINN

Attached is a copy of correspondence received from Noel Finn.

7.1 Recommendation: For Councils consideration

8 BERNADETTE JACKSON

Attached is a copy of correspondence received from Bernadette Jackson regarding Nyngan Memorial Swimming Pool

8.1 Recommendation: For noting

9 WENDY BEETSON, COMMUNITY HUB CO-ORDINATOR RED CROSS

Attached is a copy of correspondence received from Wendy Beetson, Community Hub Co-Ordinator Red Cross

9.1 Recommendation: For noting

10 BERNADETTE JUMP

Attached is a copy of correspondence received from Bernadette Jump regarding Girilambone Cemetery.

10.1 Recommendation: For noting

Precis of Correspondence to the Ordinary Meeting of Bogan Shire Council
held on 27 May 2021



The Hon. Paul Toole MP
Minister for Regional Transport and Roads

Mr Derek Francis
General Manager
Bogan Shire Council
PO BOX 221
NYNGAN NSW 2825

BOGAN SHIRE COUNCIL		
FILE	15 APR 2021	R/N
ASSIGNEE:		

Ref: BN21/00060

Dear Mr Francis

Reference: FLR200234 – Pangee Street – Resurfacing

The information contained in this letter is confidential and may not be made public until your local State Member of Parliament or Federal Member has made direct contact. If contact has not been made by 23 April 2021, please contact my Ministerial office.

I am writing to advise your application under Fixing Local Roads Round 2, has been successful in securing \$974,783.

Fixing Local Roads is an initiative funded by the NSW Government which is specifically designed to help regional and rural councils carry out vital repair work and reduce the maintenance backlog for local roads. We know how well maintained roads play a vital role in our regional communities and support growth and development opportunities. This program will mean people have smoother, safer trips to school, to work and across their regions.

Importantly, it will create much-needed jobs in regional towns and cities as councils start work on these shovel-ready projects. These benefits and connections stimulate the economy and promote the social wellbeing of our communities.

On the 29th of June 2020, I joined the Deputy Prime Minister Michael McCormack to announce that we had turbocharged the Fixing Local Roads program with accelerated funding from the NSW Government and \$191 million in additional funding from the Federal Government.

This injection will see \$382 million of joint funding allocated in Rounds 1 and 2 to shovel ready projects able to start in the next 12 months, driving an estimated 3500 jobs across regional NSW.

In Round 1, \$243.6 million was allocated to 253 projects across 83 Local Government Areas.

I am pleased to announce that under Round 2, \$150 million has been available for 108 road projects across 90 regional councils.

All Fixing Local Roads submissions received were reviewed and assessed against the program criteria by the Fixing Local Roads Assessment Panel.

**Precis of Correspondence to the Ordinary Meeting of Bogan Shire Council
held on 27 May 2021**

I congratulate Bogan Shire Council in securing funding for the following project;

Application Number	Project Name	Project Description	Funding
FLR200234	Pangee Street – Resurfacing	The project involves the rehabilitation and resurfacing of 8,070m ² of Pangee Street.	\$974,783

I remind Council that the above successful project was selected because they were nominated as shovel-ready, so as to deliver immediate stimulus benefits to the community. Under Round 2, Council must start construction on these projects within six months of public announcement, and complete them within two years.

Transport for NSW will contact council shortly to discuss establishing a Funding Deed and how to finalise funding arrangements. If you have any further questions about the Fixing Local Roads program, please contact your Local Government Manager Ainsley Bruem or email fixinglocalroads@transport.nsw.gov.au.

Congratulations again on receiving funding for this important project.

Yours sincerely,

A handwritten signature in black ink that reads "Paul Toole".

The Hon. Paul Toole MP
Minister for Regional Transport and Roads



**Precis of Correspondence to the Ordinary Meeting of Bogan Shire Council
held on 27 May 2021**

From: anna corby <annacorby57@yahoo.com.au>
Date: 10 May 2021 at 11:50:29 am AEST
To: Derek Francis <derek.francis@bogan.nsw.gov.au>
Subject: Museum meeting request

Hello Derek,

At the May meeting of the Nyngan Museum volunteers, a motion was moved that we contact the Shire with a request for assistance. In the past, the entrance fee to the museum was \$3.00 for adults. All of this money went to the Bogan Shire to be put towards the general running costs. As the system stands now, the Museum charges \$5.00 for adults, which also goes to the Shire. The meeting would like the Council to consider making \$2.00 of that money available to the museum committee. The Council would retain its \$3.00 and we would be able to access the other \$2.00. The request arose because we have no budget of our own to purchase sundries such as printer ink, paper, or other small maintenance items without approaching the Council to do so. Our request, then, is that \$2.00 of the \$5.00 entrance fee at the Museum be returned to the Museum Committee to be used as a running budget for the purchase of consumables and small maintenance items as needed. Thanks for your consideration of the matter.

Anna Corby

Secretary Nyngan Museum

**Precis of Correspondence to the Ordinary Meeting of Bogan Shire Council
held on 27 May 2021**

Application for Donation



Request for the Financial Year 2021

1. Applicant/Organisation:

Name of

Organisation:

COUNTRY WOMANS ASSOCIATION FAR WESTERN GROUP.
PUBLIC SPEAKING COMM.

Address:

"BELLEVUE" STATION 2281 KAMILAROI HIGHWAY, BOURKE NSW 2840.

Telephone: 0828747330

President/Chair Name: BRENDA CARTER

Secretary Name: DENISE TURNBULL

Treasurer Name: BRENDA CARTER.

Is your organisation an Incorporated body? Yes/~~No~~

If Yes, please attached your financial statements.

2. Financial Assistance

Amount Requested: \$ 100.00

(minimum \$50.00)

*If over \$1000.00 Financial Statement must be provided or the request will not be considered.

Details of how funds will be expended:

THIS WOULD ASSIST WITH PRIZE MONEY, THE COST OF BOOKS
FOR SCHOOL LIBRARIES AND THE COST OF PROVIDING
CERTIFICATES FOR ALL PARTICIPANTS.

Donations given to your Organisation by Council over the last three years:

Amount: \$ 600.00

Date: 2017 (\$100) 2018 (\$250) 2019 (\$250.00) DUE TO COVID NO P.S. COMP WAS HELD IN 2020

Purpose to which funds put: CWA SCHOOLS PUBLIC SPEAKING COMPETITION (2021)

Do you consent to Council evaluating how the funds were spent, if Council elects to do so? Yes/~~No~~

BOGAN SHIRE COUNCIL	
FILE	R/N
22 APR 2021	
ASSIGNEE:	

**Precis of Correspondence to the Ordinary Meeting of Bogan Shire Council
held on 27 May 2021**

3. Information Regarding the Organisation

a) What services or activities does your organisation provide to Bogan Shire Residents?

The services provided by the CWA in all areas of the far west are many & varied & have been provided for close to 100 years. This initiative is focused to assist school students throughout the western area.

b) How will the donation you have requested benefit Bogan residents?

The opportunity for students to speak with confidence & knowledge of public speaking techniques is proving to be very beneficial to those who take part.

c) Principle Objectives – describe in broad terms the principle objectives of your organisation, as stated in your Constitution.

Our CWA aims to promote a network of support for women & families, to provide a voice & forum for women while improving & enhancing conditions for families. To promote goodwill understanding & tolerance between all people.

d) How many members does your organisation have?

THROUGH OUT NSW OUR ORGANISATION HAS APPROX 8000 MEMB. FAR WESTERN GROUP HAS APPROX 200 MEMBERS

4. Additional Information

Any additional information which you consider necessary.

THE COVERING LETTER EXPLAINS THE FULL INFORMATION REGARDING THE INITIATIVE. HOWEVER IT IS WORTH NOTING THAT EACH YEAR THE COMPETITION IS HELD PARTICIPATION INCREASES & THOSE WHO DO THE JUDGING NOTICE A CONSISTENT IMPROVEMENT IN THE STANDARD OF ENTRANTS.

5. How will your organisation acknowledge the Council's donations?

ACKNOWLEDGEMENT IN BOOKS PRESENTED TO SCHOOLS, ACKNOWLEDGEMENT IN ANY MEDIA COVERAGE - PUBLIC THANKS AT PRESENTATIONS BOTH GROUP & INTER GROUP.

6. Declaration of Non-Profit/Registered Charity or Organisation

I DENISE TURNBULL declare the CWA OF NSW (FAR WESTERN is a non-profit organisation/registered charity for the purposes of the Australian Taxation Office.

(office bearer) (Organisation) (GROUP)
Denise Turnbull (Signed) _____ (Witness) _____
12214 (Registration number)

President/Chairperson Signature: Denise Turnbull

Date: 17.14.21



Precis of Correspondence to the Ordinary Meeting of Bogan Shire Council
held on 27 May 2021

Far Western Group CWA Public Speaking Event Estimated budget for 2021

Venue Hire	CWA
Prize money for both Group and Inter group	\$780.00
Books for school libraries for both Group and Intergroup	\$460.00
Certificates for both Group and Intergroup	\$120.00
Judges expenses	\$190.00
Intergroup contribution	CWA
Office expenses	CWA
Promotion expenses	CWA
Catering Expenses	Host branches
Total Estimated Outside Expenses	\$1550.00

Precis of Correspondence to the Ordinary Meeting of Bogan Shire Council
held on 27 May 2021

From: Kim Artery <kima@royalfarwest.org.au>
Sent: Friday, 7 May 2021 3:04 PM
To: Melissa Salter
Cc: Tara Tan
Subject: Donation to Royal Far West

Hi Melissa

Thank you for your time on the phone this afternoon.

As just discussed on your suggestion I spoke to Mayor Ray Donald this afternoon and he confirmed a \$500 donation is to be made to Royal Far West from Council. Mayor Donald mentioned that the General manager and himself have sanctioned the \$500.

Thank you!

There are a few ways Council is welcome to donate:-

1. Post a cheque made payable to 'Royal Far West', attn: Fundraising, RFW PO Box 52 Manly NSW 1655, or
2. Donate via our website <https://www.royalfarwest.org.au/donation/> ; or
3. Donate via direct bank deposit – Westpac Bank, BSB 032-096, account 675104, reference 'Bogan Shire Council'.

If you have any queries Melissa please contact me on (02) 8622 6840. I note you mentioned the General Manager won't be in the office until Wednesday next week.

Thank you so much for the Council's generosity! Our team and all the riders thoroughly enjoyed their time in Nyngan earlier this week!

Enjoy your weekend. 😊

Warm regards

Kim Artery
Fundraising Coordinator

T (02) 8622 6840

F 02 9977 7134

E kima@royalfarwest.org.au

W royalfarwest.org.au

14-18 Wentworth St Manly 2095
PO Box 52, Manly NSW 1655



Royal Far West acknowledges the Traditional Custodians of country throughout Australia and the ongoing and important wisdom shared through their continued connection with the land, waters and community. We respectfully recognise the Elders of the past and present, and walk with the children who will become future Elders.



Precis of Correspondence to the Ordinary Meeting of Bogan Shire Council
held on 27 May 2021



2 Monroe Street
Nyngan NSW 2525

To Bogan Shire Manager, Mayor & Councillors
I would like to ask if it please would it
be possible for the Bogan Shire to build + supply - erect
a awning over the much used heat that Council supplied
for the site out side of the hospital

It would be very much appreciated as this
seat is in the heaps. But would like a Roof over
it to help with the climate.

Also would it be possible for council to be able
to make another shelter on wheels at the local cemetery
One isn't enough with the weather we have in our
great towns. We have had people pass out from the heat
at funerals. Our Council could make the funeral of
someone better, I feel we need to do this request for
the health of our citizens & visitors. Also a few more
Bench seat under trees would be great for everyone

Thanks for reading my

Your Sincerely

Dee Bourke

Chairperson Health Council

BOGAN SHIRE COUNCIL	
FILE	R/N
07 MAY 2021	
ASSIGNEE:	

Copy to Derek Francis
Ray Donald OAM
Greg Deacon
Kevin Ryan
Graham Jackson

Glen Neill
Greg Deacon
Tony Elias
Victoria Boag
Veneta Dutton
Jodi Douglas

Precis of Correspondence to the Ordinary Meeting of Bogan Shire Council
held on 27 May 2021

PO Box 426
48 Oxley Street
Bourke NSW 2840
Ph: 02 68722333
Fax: 02 68722810
Email: outback@outbackradio.com.au
Website: www.outbackradio.com.au



17th May 2021

The General Manager
Bogan Shire Council
P O Box 221
NYNGAN NSW 2825

Dear Sir

Firstly, I convey the Co-Operative's sincere appreciation of your Council's past support of the station. Last year was a particularly challenging one financially with many clients cancelling their sponsorship firstly due to the drought and then to the restrictions put in place in relation to the COVID-19 pandemic. Had it not been for government assistance through Jobkeeper and Cash Flow Boost together with major sponsorships such as yours it would have been difficult to remain solvent.

While there is evidence of recovery due to the return of some clients, support from major sponsors remains critical to the continuation of that recovery. The Co-Op remains committed to providing the service which many listeners in your shire rely upon.

Your Council's sponsorship allows for the broadcast of **all** its announcements on Radio 2WEB such as road conditions, emergencies, interruptions to services and the like. It would also provide for regular interviews with the Mayor and/or the General Manager

For the reasons outlined and in anticipation of your Council's continued support an invoice has been raised which it is hoped will be approved and paid at an early date.

Yours faithfully

Ian Cole
Managing Director

Precis of Correspondence to the Ordinary Meeting of Bogan Shire Council
held on 27 May 2021



The Western Herald

48 Oxley Street
PO Box 426
BOURKE NSW 2840

Tax Invoice

Invoice No.: 00067254

A.B.N. 80 181 967 122

Date: 1/07/2021

Bill To:
Bogan Shire Council
P O Box 221
NYNGAN NSW 2825

Ship To:
Bogan Shire Council
P O Box 221
NYNGAN NSW 2825

DESCRIPTION	AMOUNT	CODE
Sponsorship of Radio Station 2WEB 1/7/2021 to 30/6/2022	\$6,160.00	GST

PAYMENT OPTIONS

Bank Deposit:
WREB Co-Op Ltd
BSB: 082473
ACC: 509561791

Your Order No:	Customer ABN:	Freight:	\$0.00
	Terms: Net 30	GST:	\$560.00
		Total Inc GST:	\$6,160.00
		Amount Applied:	\$0.00
		Balance Due:	\$6,160.00
Tax Invoice 00067254			

COPY

To: Bogan Shire Council

Noel Finn
87 Wambiana Street
NYNGAN NSW 2825

BOGAN SHIRE COUNCIL	
FILE	R/N
15/446	06 MAY 2021 21/10076
ASSIGNEE:	
Derek Francis	

To whom it may concern:

Is there a flood evacuation and/or an emergency plan in place for a 1 in a 1000 year chance for flood or catastrophic levy collapse.

If not could one be made for future of Nyngan people.

1. Where is the high spots (including the new levy heights)

2. Have legal Legislation to cover any obstruction to the removed if needed

2a. Early stage of the last flood the RTA was sandbagging the HWY east of Nyngan, there was over 1 metre drop on the other side. Lucky some locals came along and kicked the bags into the water. I'm sure it's the place in a photo of a truck nosed into the highway wash out.

2b. Have vertical piping for explosive to be used east and west of Nyngan for railway and highway to be blown up at a certain time? (if needed)...they get washed away any how may we do it earlier!

Going by flood photos Nyngan is a blockage to flood water funnelling into the bogon.

2c. The retaining wall at the railway bridge is full of concrete blocks. Two floods before the last one the embankment got washed away allowing the water to get away. It could not do it in last flood because it's full of concrete blocks. The time delay banking the water up one hundred kilometers back was one of the reasons the last flood was so severe plus heaps of other factors.

I suggest the embankment be removed and have some sort of removable walls or go back to dirt only. Thank you for your time would like some sort of reply. Noel Finn 87 wambiana st. nyngan

Noel Finn 6/5/21



From: Bernadette Jackson <bernadette.jackson@bigpond.com>
Sent: Tuesday, 20 April 2021 12:04 PM
To: Admin
Subject: Nyngan Memorial Swimming Pool

Ray Donald,
Mayor,
Bogan Shire Council

Dear Ray,

As a regular user of the Nyngan Memorial Swimming Pool, I just wanted to let you know how much I enjoyed using this facility over the 20/21 season. The pool was always sparkly clear, the water temperature was comfortable, and the surrounds are beautiful. It was a pleasure to see families coming to enjoy the new play fountain and the little pool, as well as the children using the basketball court. Along with the shade shelters, these are really useful and attractive additions to the pool. It was terrific to see so many people making use of pool for both recreation and exercise.

Scott does a fantastic job of maintaining the pool and its surrounds, he is always pleasant and welcoming. The food available and canteen he runs provides another great draw card for people visiting the pool.

Thank you to the Bogan Shire, and well done for providing such a excellent facility.

Yours Sincerely,

Bernadette Jackson

From: Wendy Beetson <wbeetson@redcross.org.au>
Date: Wed 21/04/2021 at 1:34 PM AEST
To: Bogan Shire Council
Subject: Thank you – ‘BBQ in the park’ day 13th April, 2021

Attention: General Manager, Derek Francis

Dear Derek, I would like to convey my thanks to the Bogan Shire Council for the provision of equipment for the Hub’s recent mental health day – BBQ in the park. The Facilities and Outdoor Parks & Garden staff had Davidson Park looking fantastic and assisted with the success of the day with the delivery and placement of tents, tables and chairs for the use of service providers and community members. They also sprayed the park for mosquitos the day before the event, which was greatly appreciated and assisted in keeping our community protected.

I would also like to express thanks to Steph and Carly for their friendly and helpful guidance in regard to the necessary paperwork required to hold the day.

Without the contribution by the Shire Council, the day would not have been the success that it was. I feel that Nyngan is very lucky to have a Shire Council so willing to help organisations such as the Community Hub to hold community events.

Kind regards, Wendy

Wendy Beetson
Community Hub Co-Ordinator

3/91 Pangee Street NYNGAN NSW 2825 PO Box 280 NYNGAN NSW 2825

M: 0488 318 110 | **E:** wbeetson@redcross.org.au

redcross.org.au



Red Cross acknowledges the Traditional Owners of this land, their ancestors and Elders, past and present.

From: Bernadette And Douglas <berndoug@telstra.com>
Sent: Tuesday, 20 April 2021 11:10 AM
To: Admin
Subject: Girilambone Cemetery

The Manager
Bogan Shire Council
81 Cobar Street
Nyngan NSW

Dear Sir

I am writing to thank Bogan Shire Council for their cooperation in maintaining the Girilambone Cemetery, following a request to have it looking its best for a recent service which was held there.

As one of many ex-townspersons at the ceremony, we felt proud of the little cemetery. There were several city people in attendance who were full of admiration, and commented that it was obvious that this little cemetery was a place of importance to many ex-residents, who still visit and maintain the graves of their loved ones.

Please pass on our thanks to the staff who made this happen. Many thanks.

Yours faithfully

Bernadette Jump

